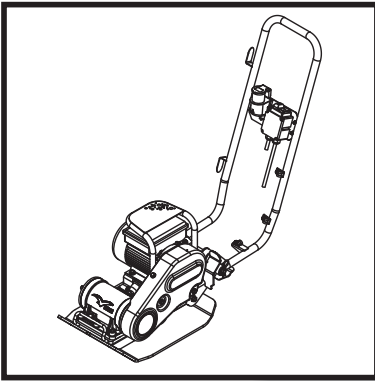




# BELLE PCLX 12/40E

870/10022/0  
10/18



**(GB)** Operators Manual

**6**

**(F)** Manuel De L'Opérateur

**16**

- Spare Parts Book
- Pièces Détachées

**26**

# EC DECLARATION OF CONFORMITY / DECLARATION CE DE CONFORMITE / DECLARACIÓN DE CONFORMIDAD CE / DECLARAÇÃO CE DE CONFORMIDADE / EG-VERKLARING VAN OVERENSTEMMING / EF OVERENSSTEMMELSESERKLÆRING



We, **Belle Group Sheen UK, Sheen, Nr. Buxton, Derbyshire, SK17 0EU, GB**, hereby certify that if the product described within this certificate is bought from an authorised Belle Group dealer within the EEC, it conforms to the following EEC directives: 2006/42/CE (This directive replaces directive 98/37/EC), Electromagnetic Compatibility Directive 2004/108/CE (as amended by 89/336/EEC, 92/31/EEC & 93/68 EEC). The Waste Electrical and Electronic Equipment (WEEE) 2002/96/CE, the low voltage directive 2006/95/CE, BS EN ISO 12100-1:2003 Safety of machinery and associated harmonised standards, where applicable. Noise emissions conform to directives 2000/14/EC Annex VI & 2005/88/EC, for machines under article 12 the notified body is **AVT Reliability, Unit 2 Easter Court, Europa Boulevard, Warrington, Cheshire, WA5 7ZB, GB**.  
**Noise Technical files are held by Ray Neilson at the Belle group Head Office address which is stated above.**



Nous soussignés, **Belle Group Sheen UK, Sheen, Nr. Buxton, Derbyshire, SK17 0EU, GB**, certifions que si le produit décrit dans ce certificat est acheté chez un distributeur autorisé Belle Group au sein de la CEE, il est conforme aux normes CEE ci-après: 2006/42/CE (Cette norme remplace la norme 98/37/CE), Norme compatible pour l'électromagnétisme 2004/108/CE (modifiée par 89/336/EEC, 92/31/EEC & 93/68 EEC). Les déchets électriques, et d'équipement électronique 2002/96/CE, caractéristiques basse tension 2006/95/CE, BS EN ISO 12100-1:2003 Norme de sécurité des machines et des critères associés et configurés, si applicable. Les émissions de bruit sont conformes à la directive 2000/14/EC Annexe VI et 2005/88/EC pour machines, article 12, l'objet mentionné est **AVT Reliability, Unit 2 Easter Court, Europa Boulevard, Warrington, Cheshire, WA5 7ZB, GB**.  
**Les fichiers techniques des émissions sonores sont détenus par Ray Neilson à l'adresse du Siège du Groupe Belle qui est indiqué ci-dessus.**



La Sociedad, **Belle Group Sheen UK, Sheen, Nr. Buxton, Derbyshire, SK 17 0EU, GB**, por el presente documento certifica que si el producto descrito en este certificado es comprado a un distribuidor autorizado de Belle Group en la CEE, este es conforme a las siguientes directivas: 2006/42/CE de la CEE (Esta directiva sustituye a la Directiva 98/37/CE), Directiva 2004/108/CE sobre Compatibilidad Electromagnética (según enmiendas 89/336/EEC, 92/31/EEC & 93/68 EEC). Los residuos eléctricos y electrónicos (RAEE) 2002/96/CE, Directiva sobre Bajo Voltaje 2006/95/CE, BS EN ISO 12100-1:2003 de Seguridad de Maquinaria y Niveles armonizados estándares asociados donde sean aplicables. Emisión de Ruidos conforme a la Directiva 2000/14/CE Anexo VI y 2005/88/EC para máquinas bajo artículo 12 de la mencionada unidad está **AVT Reliability, Unit 2 Easter Court, Europa Boulevard, Warrington, Cheshire, WA5 7ZB, GB**.  
**Archivos de ruido técnicos están en manos de Ray Neilson en la dirección del grupo Belle Sede de la que se ha dicho.**



O signatário, **Belle Group Sheen UK, Sheen, Nr. Buxton, Derbyshire, SK 0EU, GB**, pelo presente, declara que se o produto descrito neste certificado foi adquirido a um distribuidor autorizado do Belle Group em qualquer país da UE, está em conformidade com o estabelecido nas seguintes diretivas comunitárias: 2006/42/CE (Esta directiva substitui a Directiva 98/37/CE), Directiva de Compatibilidade Electromagnética 2004/108/CE (conforme corrigido pelas 89/336/EEC, 92/31/EEC & 93/68 EEC). O Eléctrico de Desperdiço e Equipamento Eléctrico (DEEE) 2002/96/CE, a directiva de baixa voltagem 2006/95/CE, BS EN ISO 12100-1:2003 Segurança da maquinaria e às normas harmonizadas afins se aplicáveis. As emissões de ruído respeitam e estão dentro das diretivas para máquinas 2000/14/CE Anexo VI & 2005/88/EC, artigo 12, sendo o organismo notificado **AVT Reliability, Unit 2 Easter Court, Europa Boulevard, Warrington, Cheshire, WA5 7ZB, GB**.  
**Arquivos de ruído técnicos são detidos por Ray Neilson no endereço Escritório Belle grupo Cabeça que é dito acima.**

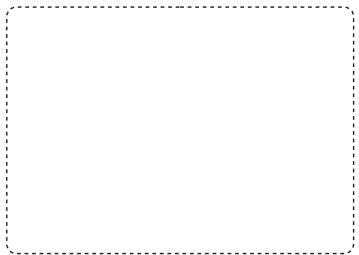


Ondergetekende, **Belle Group Sheen UK, Sheen, Nr. Buxton, Derbyshire, SK17 0EU, GB**, verklaren hierbij dat als het product zoals beschreven in dit certificaat is gekocht van een erkende Belle Group dealer binnen de EEG, het voldoet aan de volgende EEC richtlijnen: 2006/42/CE (Deze richtlijn vervangt Richtlijn 98/37/EC), Electromagnetische Compatibiliteit Richtlijn 2004/108/CE (geamendeerd door 89/336/EEC, 92/31/EEC & 93/68 EEC). De afgedankte elektrische en elektronische apparatuur (AEEA) 2002/96/CE, de Laagspannings Richtlijn 2006/95/CE, BS EN ISO 12100-1:2003 Veiligheid van Machines, en hieraan gekoppelde geharmoniseerde Standaarden, waar deze van toepassing is. Geluidshinder te voldoen aan de richtlijnen 2000/14/EG en 2005/88/EG bijlage VI, voor toestel onder stuk 12 naar de notified troep zit **AVT Reliability, Unit 2 Easter Court, Europa Boulevard, Warrington, Cheshire, WA5 7ZB, GB**.  
**Lawaai Technische dossiers zijn in handen van Ray Neilson op de Belle groep hoofdkantoor adres, dat staat boven.**



Vi, **Belle Group Sheen UK, Sheen, Nr. Buxton, Derbyshire, SK17 0EU, GB**, erklærer hermed, at hvis det i dette certifikat beskrevne produkt er købt hos en autoriseret Belle Group forhandler i EU, er det i overensstemmelse med følgende EØF-direktiver: 2006/42/CE (Dette direktiv erstatter direktiv 98/37/EF), 2004/108/EØF (som ændret ved 89/336/EEC, 92/31/EØF & 93/68 EØF), Afald af elektrisk og elektronisk udstyr (WEEE) 2002/96/CE, lavspændingsdirektivet 2006/95/CE, BS EN ISO 12100-1:2003 Maskinsikkerhed og tilhørende harmoniserede standarder, hvor det er relevant. Støjmission i overensstemmelse med direktiverne 2000/14/EF bilag VI og 2005/88/EF, for maskiner under paragraf 12. Det bemyndigede organ er **AVT Reliability, Unit 2 Easter Court, Europa Boulevard, Warrington, Cheshire, WA5 7ZB, Storbritanien**.  
**Støj Tekniske filer er i besiddelse af Ray Neilson på Belle-gruppen hovedkontoret adresse, som er nævnt ovenfor.**

PRODUCT TYPE .....	TYPE DE PRODUIT.....	TIPO DE PRODUCTO .....
MODEL .....	MODELE .....	MODELO .....
SERIAL No.....	N° DE SERIE .....	N° DE SERIE .....
DATE OF MANUFACTURE.....	DATE DE FABRICATION .....	FECHA DE FABRICACIÓN.....
SOUND POWER LEVEL MEASURED / .....	NIVEAU DE PUISSANCE SONORE MESUREE / .....	NIVEL DE POTENCIA ACÚSTICA MEDIDO / .....
.....(GUARANTEED)	.....(GARANTIE)	.....(GARANTIZADO)
WEIGHT .....	POIDS .....	PESO .....
TIPO DE PRODUCTO.....	PRODUCTTYPE.....	PRODUKTTYPE.....
MODELO.....	MODEL.....	MODEL.....
NO. DE SERIE.....	SERIENUMMER.....	SERIENR.....
DATA DE FABRIC.....	FABRICAGEDATUM.....	FREMSTILLINGSDATO.....
NIVEL DE POTÊNCIA DE SOM MEDIDO / .....	GEMETEN GELUIDSSTERKTE NIVEAU / .....	LYDEFEKT NIVEAU MÅLT / .....
.....(GARANTIDO)	.....(EGARANDEERD)	.....(GARANTERET)
PESO.....	GEWICHT.....	VÆGT.....



Signed by:  
 Signature:  
 Medido por:  
 Assinado por:  
 Getekend door:  
 Underskrevet af:  
  
**Ray Neilson**

**Managing Director - On behalf of BELLE GROUP (SHEEN) UK.**  
**Le Directeur Général - Pour le compte de la SOCIETE BELLE GROUP (SHEEN) UK.**  
**Director Gerente - En nombre de BELLE GROUP (SHEEN) UK.**  
**Director-Geral - Em nome de BELLE GROUP (SHEEN) UK.**  
**Algemeen Directeur - Namens BELLE GROUP (SHEEN) UK.**  
**Administrerende direktør - På vegne af BELLE GROUP (SHEEN) UK.**

<b>Place of Declaration</b> - Sheen, Nr. Buxton, Derbyshire, SK17 0EU, UK	<b>Date of Declaration</b> - 2016.....
<b>Lieu de déclaration</b> - Sheen, Nr. Buxton, Derbyshire, SK17 0EU, UK	<b>Date de déclaration</b> - 2016.....
<b>Declaración hecha en</b> - Sheen, Nr. Buxton, Derbyshire, SK17 0EU, UK	<b>Fecha de la declaración</b> - 2016.....
<b>Lugar de Declaração</b> - Sheen, Nr. Buxton, Derbyshire, SK17 0EU, UK	<b>Data da Declaração</b> - 2016.....
<b>Plaats van de Verklaring</b> - Sheen, Nr. Buxton, Derbyshire, SK17 0EU, UK	<b>Datum van de verklaring</b> - 2016.....
<b>Sted i erklæring</b> - Sheen, Nr. Buxton, Derbyshire, SK17 0EU, UK	<b>Dato for erklæringen</b> - 2016.....



# How To Use This Manual

This manual has been written to help you operate and service the 'PCLX 12/40E' Plate compactor safely. This manual is intended for dealers and operators of the 'PCLX 12/40E' Plate compactor .

## Foreword

The '**Machine Description**' section helps you to familiarise yourself with the machine's layout and controls.

The '**Environment**' section gives instructions on how to handle the recycling of discarded apparatus in an environmentally friendly way.

The '**General Safety**' and '**Health and Safety**' sections explain how to use the machine to ensure your safety and the safety of the general public.

The '**Operating Instructions**' section helps you with the setting up and use of the machine.

The '**Trouble Shooting Guide**' helps you if you have a problem with your machine.

The '**Service & Maintenance**' section is to help you with the general maintenance and servicing of your machine.

The '**Warranty**' Section details the nature of the warranty cover and the claims procedure.

## Directives with regard to the notations.

Text in this manual to which special attention must be paid are shown in the following way:



### CAUTION

*The product can be at risk. The machine or yourself can be damaged or injured if procedures are not carried out in the correct way.*



### WARNING

*The life of the operator can be at risk.*



## WARNING



### WARNING

*Before you operate or carry out any maintenance on this machine **YOU MUST READ** and **STUDY** this manual.*

**KNOW** how to safely use the unit's controls and what you must do for safe maintenance. (NB Be sure that you know how to switch the machine off before you switch on, in case you get into difficulty.)

**ALWAYS** wear or use the proper safety items required for your personal protection. If you have **ANY QUESTIONS** about the safe use or maintenance of this unit, ASK YOUR SUPERVISOR OR CONTACT: **Altrad Belle (UK): +44 (0) 1298 84606**



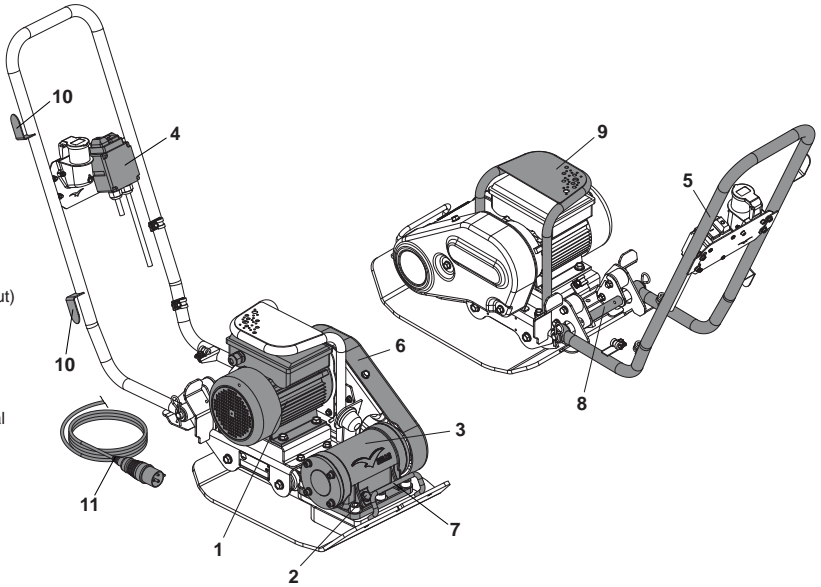
## Contents

How To Use This Manual .....	6
Warning .....	6
Machine Description .....	7
Environment .....	7
Technical Data .....	8
Decals.....	9
Safety Instructions.....	10
Health And Safety.....	11
Reasons For Compaction.....	11
Compaction Specification.....	11
Applications .....	11
Pre-Start Checks .....	11
Operating Instructions .....	12
Trouble Shooting Guide .....	13
Service & Maintenance .....	14
Warranty .....	15
Declaration Of Conformity.....	2

*Altrad Belle reserves the right to change machine specification without prior notice or obligation.*

**Machine type:**  
Single Direction  
Plate Compactor

1. Electric Motor
2. Vibrator Unit Oil Plug.
3. Vibrator Unit
4. On / Off Switch
5. Operating Handle,
6. Belt Guard,
7. Hand Lifting Point
8. Hand Lifting Point (Strut)
9. Motor Guard
10. Cable Storage Hook
11. Power Cable



**DO NOT** use a Mechanical Hoist on the Hand Lifting Points (No's 7 & 8) and Motor Guard (No. 9)



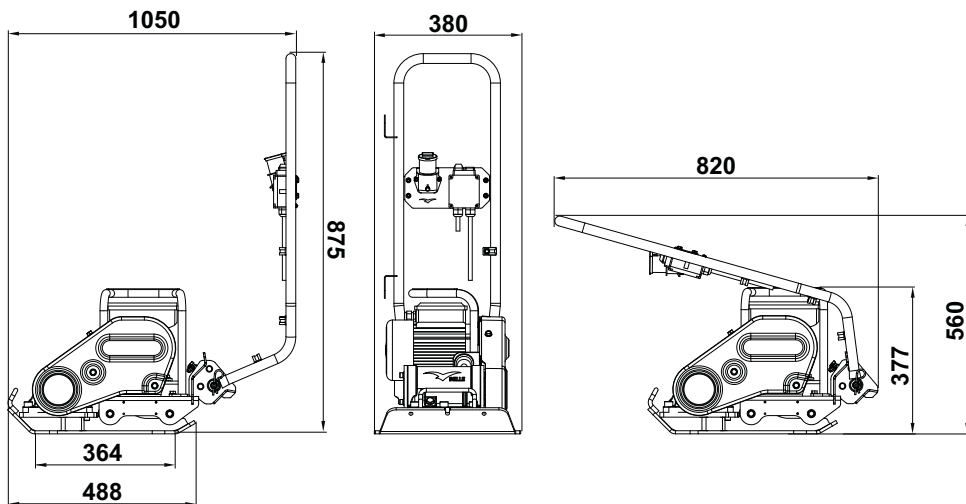
## Environment

### Safe Disposal.



Instructions for the protection of the environment. The machine contains valuable materials. Take the discarded apparatus and accessories to the relevant recycling facilities.

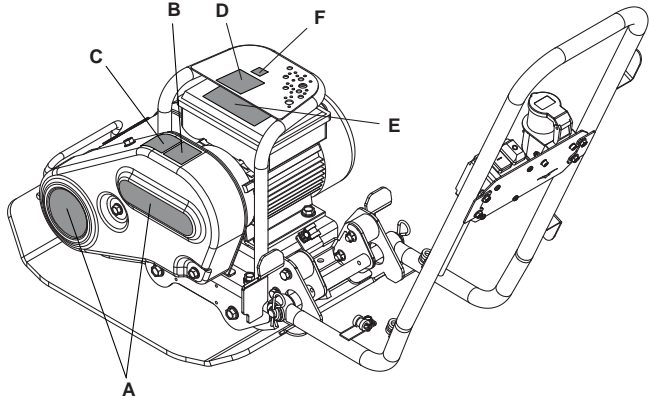
Component	Material
Operator Handle	Steel
Hand Grip	Steel
Base Plate	Steel
Eccentric Weights	Steel
Electric Motor	Steel & Aluminium & Copper
Various Parts	Steel & Aluminium



Model	110v 50Hz	230v 50Hz
Weight (kg)	50	50
Motor Power (Hp / kW)	2.0 / 1.5	2.0 / 1.5
Motor RPM	2800	2800
Nominal Voltage (v)	110	230
Full Load Current (A)	14.2	6.66
Motor Protection Rating	IP44	IP44
Power Consumption (kW)	0.94	0.94
Vibrator Force (kN)	12	12
Frequency (Hz)	50	50
Minimum Transformer Size (kVA)	3.3	N/A
Maximum Travel Speed (m/min)	24	24
Max. Gradient (°)	20	20
Compaction Force (kg/m <sup>2</sup> )	388	388
3 Axis Vibration* (m/sec <sup>2</sup> )	3.97	3.97
Usage Time (Mins)	190	190
Sound Power Level (dB(A))	104	104

\* Minimum level to EN500 Part 4

- A - Branding Decals
- B - Safety Decal
- C - Noise Decal
- D - Wet Conditions Decal
- E - Motor Safety Decal
- F - No Lifting Decal



#### **A - Branding Decals**

Branding Decals to identify the model of machine.

#### **B - Safety Decal (Part No. 19.0.373)**



Please Read  
Operators  
Manual



Wear Protective  
Footwear



Wear Ear  
Protection



Wear Eye  
Protection

#### **C - Noise Decal**

Guaranteed Sound Power Level of the machine in dB(A).

#### **D - Wet Conditions Decal**

**DO NOT** use this machine in wet conditions. The electrical components of the machine **MUST NEVER** be exposed to water or liquid of any kind as this could result in serious injury or even death!

#### **E - Motor Safety Decal**

**DO NOT** remove any covers from the motor whilst the still plugged in. This may cause serious injury or even death.

#### **F - No Lifting Decal**

**DO NOT** use the Motor Guard as a Lifting Point.

For your own personal protection and for the safety of those around you, please read and ensure you fully understand the following safety information. It is the responsibility of the operator to ensure that he/she fully understands how to operate this equipment safely. If you are unsure about the safe and correct use of the 'PCLX 12/40E' Plate compactor, consult your supervisor or Altrad Belle.



## CAUTION

*Improper maintenance can be hazardous. Read and Understand this section before you perform any maintenance, service or repairs.*

- This equipment is heavy and must not be lifted single-handedly, either **GET HELP** or use suitable lifting equipment.
- Cordon off the work area and keep members of the public and unauthorized personnel at a safe distance.
- Personal Protective Equipment (PPE) must be worn by the operator whenever this equipment is being used (see Health & Safety).
- Make sure you know how to safely switch this machine **OFF** before you switch it **ON** in case you get into difficulty.
- Always switch OFF and un-plug the motor before transporting, moving it around the site or servicing it.
- During use the motor becomes very hot, allow the motor to cool before touching it. Never leave the motor running and unattended.
- Never remove or tamper with any guards fitted, they are there for your protection. Always check guards for condition and security, if any are damaged or missing, **DO NOT USE THE MACHINE** until the guard has been replaced or repaired.
- Never pull or guide the machine using the cable and never pull on the cable to disconnect the plug.
- **DO NOT** operate the **MACHINE** when you are ill, feeling tired, or when under the influence of alcohol or drugs.
- Ensure that any trailing cable is protected against damage and not liable to be tripped over or trapped underneath the machine.
- **DO NOT** use the Motor Guard as a Lifting Point.
- **DO NOT** Jet Wash the machine as this could result in serious injury or even death!
- **DO NOT** use this machine in wet conditions. The electrical components of the machine **MUST NEVER** be exposed to water or liquid of any kind as this could result in serious injury or even death!
- **Belle strongly recommends the use of a Residual Current Device on 220/240v electrics.**

## Fire Fighting

If your machine catches fire, turn off the electric supply. Using a dry powder or CO2 fire extinguisher put out the fire. If the fire can not be put out, keep away and call the fire brigade. If you are in any doubt about the safety condition of your machine, please consult your nearest Altrad Belle dealer or Altrad Belle direct.

## Electric Motors

All portable electric appliances are dangerous if abused. This machine will only operate on one voltage. Check the power supply to ensure it corresponds to the voltage as stamped on the motor. Make sure that the motor is switched off before you plug it into the power supply.

**220/240v** - Always use a Residual Current Device ("RCD"), (earth leakage trip), plugged directly into the 220/240v socket.  
If using an extension cable, plug it directly into the RCD.

**110v** - When using a portable transformer it must have a minimum output of 3.3kw and be continuously rated.

The symbols on the ON/OFF switch are 0=OFF and I=ON in accordance with international standards.



## WARNING

***DO NOT** use an extension cable between the transformer and the power supply. Always ensure that the cable between the 110v machine and transformer is a minimum length of 3 metres. Ensure cable is fitted with cable clip to the operating handle at all times.*

## Plugs

The PCLX 12/40E Plate Compactor is intended for DIY or site usage, the following plug types are supplied fitted to the product:-

**110v Motor** - 16 amp rated BS4343 plug type.

**230v Motor** - 13 amp rated 3-pin BS1363 plug type  
or 3-pin CEE7/7 Euro plug type.

Fitting a plug - **WARNING THIS PRODUCT MUST BE EARTHED**

**IMPORTANT:** The wires in the mains lead are coloured in accordance with the following code:

**GREEN / YELLOW = EARTH. BLUE = NEUTRAL. BROWN = LIVE**

The wire which is coloured Green and Yellow must be connected to the terminal in the plug marked E or coloured Green and Yellow.

The wire which is coloured Brown must be connected to the terminal in the plug marked L or coloured Red. The wire which is coloured Blue must be connected to the terminal in the plug marked N or coloured Black.

Always ensure before connecting to the supply that the supply voltage is the same as the rated voltage marked on the motor

## Extension Cables

If you need to use an extension cable it must be no longer than 25 metres (82 feet) in length. The wire section must be 2.5mm<sup>2</sup> on 230v and 2.5mm<sup>2</sup> on 110v. Ensure that the extension cable is carefully laid out avoiding liquids, sharp edges and places where vehicles might run over it. Avoid allowing the extension cable to be trapped underneath the plate compactor. Unroll it fully or it will over-heat and could catch fire. Make sure that any extension cable connections are dry and safe.

## NVR - No Volt Release

The motors which are fitted to the machine are fitted with a NVR (No Volt Release) Switch. This means that if the power fails, the motor will not automatically restart when the power is restored. The machine will need to be manually restarted.

## Vibration

Some vibration from the compacting operation is transmitted through the handle to the operator's hands. Refer to specifications & technical data for vibration levels and usage times (recommended maximum daily exposure time). **DO NOT** exceed the maximum usage times.

## PPE (Personal Protective Equipment).

Suitable PPE must be worn when using this equipment i.e. Safety Goggles, Gloves, Ear Defenders, Dust Mask and Steel Toe capped footwear (with anti-slip soles for added protection). Wear clothing suitable for the work you are doing. Always protect skin from contact with concrete.

## Dust.

The compaction process can produce dust, which may be hazardous to your health. Always wear a mask that is suited to the type of dust being produced.

# Reasons For Compaction



Soil, which has been disturbed or new infill, subbase and blacktop, will have small voids or air pockets which, if not compacted, will lead to one or more problems occurring.

1. As traffic crosses the surface of an uncompacted area, the material is compressed. This leads to subsidence of the top surface as the material fills the voids.
2. A similar situation occurs with static loads on uncompacted ground. The load (e.g. a building) will sink.
3. Materials with voids are more susceptible to water seepage, leading to erosion. Water ingress may also cause the soil to expand during freezing temperatures and contract during dry spells. Expansion and contraction is a major cause of damage to building foundations and normally leads to the structure requiring underpinning.

Compaction increases the density of the material and therefore increases its load bearing capacity. Reduces air voids and therefore reduces the risk of subsidence, expansion and contraction, due to ingress of water.

# Compaction Specification



Various methods have been employed in the past to specify the compaction required for various applications. The factors to consider are, material properties, layer thickness, pressure applied, vibration and number of passes. Greater understanding of how compaction works has led to new compaction specifications being introduced. The most up to date specification is part of the U.K.'s NRSWA (New Roads & Street Works Act). Civil Engineers are now adopting these specifications to ensure good compaction for all site work.

# Applications



Applications/materials fall into three categories:

1. Cohesive materials (less than 20% granular) e.g clay, silt & heavy soils.
2. Granular materials (more than 20% granular) e.g hard core, sand & light soils.
3. Bituminous materials e.g asphalt (tarmac), cold lay (bitumin emulsion products).

# Pre-start Checks



## Pre start-up inspection.

The following Pre-start-up inspection must be performed before the start of each work session or after every four hours of use, whichever is first. Please refer to the service section for detailed guidance. If any fault is discovered, the 'PCLX 12/40E' must not be used until the fault is rectified.

1. Thoroughly inspect the 'PCLX 12/40E' and all cables for signs of damage. Make sure that the belt guard is secure before using the machine.
2. Check hoses, filler openings, drain plugs and any other areas for signs of leakage. Fix any leaks before operating.



**WARNING**

Before you operate or carry out any maintenance on this machine **YOU MUST READ and STUDY** this manual.

**WARNING**

**NEVER** pass over the electric cable with the compactor during operation.

- **Take the compactor to where it is required.**  
**DO NOT** use a Mechanical Hoist on the Hand Lifting Points (See Machine Description section).  
Transporting the PCLX 12/40E is a 2 person operation. Use the provided Hand Lifting Points (See Machine Description section)
- **NEVER** leave the motor running whilst transporting or moving the PCLX 12/40E, even if it is only a short distance.
- Having carried out the checks listed in the 'Pre-Start' section, you may start the motor.
- **Switch the machine on and use the control handle to steer or turn the PCLX 12/40E.**  
The vibrator will not only cause the baseplate to vibrate but will also cause it to travel forward. During normal operation you should not have to push the PCLX 12/40E but allow it to travel at its own pace. The speed of travel will be determined by the condition of the surface being compacted. If the surface to be compacted is on a slope, great care must be taken when controlling the PCLX 12/40E's direction of travel. If necessary, use a suitable rope attached to the PCLX 12/40E at a low point on the chassis, to allow a helper to take part of the PCLX 12/40E's weight. Work up and down a slope not across.
- **Work the PCLX 12/40E over the surface in an organized pattern until the required compaction has been achieved.**  
Where there are a number of different layers to be compacted on top of each other, compact each layer individually.

**Stopping the Motor**

1. Depress the **RED** Button (O) to stop the machine (**Fig A**).

**Starting the Motor**

1. Plug into power supply.
2. Depress the **GREEN** Button (I) to start the machine (**Fig B**).

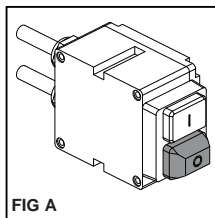


FIG A

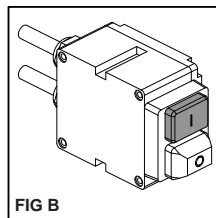


FIG B

**Guide to using optional PCLX 12/40E Portable Appliance Test (PAT) Rig****WARNING**

Make sure that the plate is unplugged from the power source prior to carrying out first steps or the visual inspection!

Prior to the PAT a Formal Visual Inspection must be carried out by a competent person to check the electrical safety of the equipment following correct procedure. For guidelines on PAT and definitions involved please visit government website:

<http://www.hse.gov.uk/electricity/faq-portable-appliance-testing.htm>.

1. Place the PCLX 12/40E plate compactor into the test rig / fixture (**Part No. 968/01200**) with the front of the plate facing the anti-vibration mounts (**Item 1**), resting on the matting and with the handle swung back (**Fig C**). The Test rig must be located on a level floor, in dry ambient conditions with only the rubber feet touching the ground for appropriate vibration damping (**NOTE**: rubber feet are **NOT** designed to isolate the product from the ground).
2. Fit the Z-Bracket (**Item 2**) (**Part No. 968/01205**) to the switch by sliding it until it securely clicks into place and presses the green **ON** button of the switch.
3. Connect an approved PAT tester, configuring it according to your PCLX 12/40E specifications (e.g. Voltage; Appliance Insulation Class; Correct type of test etc.).
4. Make sure that PCEL-E plate compactor and PAT test fixture are not touched by a human, animal or any other object and are not at risk of doing so during the test. Conduct the test when and if you are happy that it is safe to do so.

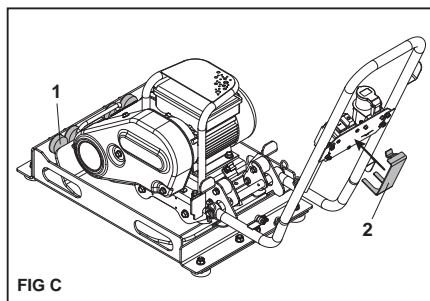


FIG C

# Troubleshooting Guide



Problem	Cause	Problem
<b>Motor fails to start.</b>	Fuse or Circuit Breaker tripped.	Replace Fuse or reset the Breaker.
	Stator is shorted or went to ground. Motor will make a humming noise and the circuit breaker or fuse will trip.	Contact Agent or Altrad Belle.
	Motor overloaded or load jammed.	Inspect to see that the load is free. If free, Contact Agent or Altrad Belle.
	Capacitor (on single phase motor) may have failed.	Contact Agent or Altrad Belle.
	Starting switch has failed.	Contact Agent or Altrad Belle.
<b>Motor runs but dies down.</b>	Voltage drop.	If voltage is less than 10% of the motor's rating contact power company or check if some other equipment is taking power away from the motor or Contact Agent or Altrad Belle.
	Load increased.	Verify the load has not changed. Verify equipment hasn't got tighter. If fan application verify the air flow hasn't changed or Contact Agent or Altrad Belle.
<b>Motor takes too long to accelerate.</b>	Defective capacitor	Contact Agent or Altrad Belle.
	Faulty stationary switch.	Contact Agent or Altrad Belle.
	Bad bearings.	Contact Agent or Altrad Belle.
	Voltage too low.	Make sure that the voltage is within 10% of the motor's nameplate rating. If not, contact power company or check if some other equipment is taking power away from the motor or contact Belle.
<b>Motor overload protector continually trips.</b>	Load too high.	Verify that the load is not jammed. If motor is a replacement, verify that the rating is the same as the old motor. If previous motor was a special design, a stock motor may not be able to duplicate the performance. Remove the load from the motor and check motor doesn't trip.
	Ambient temperature too high.	Verify that the motor is getting enough air for proper cooling. Most motors are designed to run in an ambient temperature of less than 40°C. (Note: A properly operating motor may be hot to the touch.)
	Protector may be defective.	Contact Agent or Altrad Belle.
	Winding shorted or grounded.	Contact Agent or Altrad Belle.
<b>The motor makes a loud rubbing or grinding noise.</b>	Damage to internal workings.	Contact Agent or Altrad Belle.
<b>Unit will not vibrate.</b>	Drive belt tension loose.	Adjust belt tension.
	Drive failure.	Contact Agent or Altrad Belle.
	Vibrator failure.	Contact Agent or Altrad Belle.
<b>Asphalt adhering to plate. Bituminous surface flaking (laminating).</b>	Lack of lubrication.	Use water.
	Over compaction.	Remove and relay.
<b>Low travel speed (plate sinking).</b>	Layer thickness too deep.	Remove some of the material.
	Moisture content too high or too low.	Remove material and adjust.

## Maintenance

The Altrad Belle 'PCLX 12/40E' is designed to give many years of trouble free operation. It is recommended that an approved Altrad Belle dealer carries out all major maintenance and repairs. Always use genuine Altrad Belle replacement parts, the use of spurious parts may void your warranty. Before any maintenance is carried out on the machine, switch off the motor and disconnect the power supply.

Always set the 'PCLX 12/40E' on level ground to ensure any fluid levels will be correctly read. Only use recommended oils (see chart below).

## Running In Period

The vibrator shaft case oil must be replaced after the first 100 hours use, then after every 500 working hours. For detail on vibrator shaft case oil replacement, see 'Vibrator unit'. The belt tension should be checked after 4 hours use.

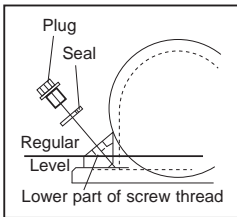
## Cleaning

This is an electrical appliance. During cleaning, the electrical components of this machine **MUST NEVER** be exposed to water or liquid of any kind as this could result in serious injury or even death!

Routine Maintenance		Before Each Use	First 4 Hours	First Month /	3 Months / 50 Hours
Cables	Check	✓			
	Replace when necessary				
Drive Belt	Tension		✓	✓	✓

## Oil / Fuel Type & Quantity

	Oil Type	Quantity (Litre)	Fuel Type	Capacity (Litre)	Spark Plug Type	Electrode Gap (mm)
Vibrator	SAE 10w40	0.22	N/A	N/A	N/A	N/A



### Vibrator Unit.

Remove the plug complete with seal, check that the oil level reaches the bottom thread on the oil plug hole. Top up as necessary with the correct oil (see chart).

Your new Altrad Belle 'PCLX 12/40E' single direction plate compactor is warranted to the original purchaser for a period of one-year (12 months) from the original date of purchase.

The Altrad Belle warranty is against defects in design, materials and workmanship.

The following are not covered under the Altrad Belle warranty:

1. Damage caused by abuse, misuse, dropping or other similar damage caused by or as a result of failure to follow assembly, operation or user maintenance instructions.
2. Alterations, additions or repairs carried out by persons other than Altrad Belle or their recognised agents.
3. Transportation or shipment costs to and from Altrad Belle or their recognised agents, for repair or assessment against a warranty claim, on any machine.
4. Materials and/or labour costs to renew, repair or replace components due to fair wear and tear.

The following components are not covered by warranty.

- Drivebelt/s

Altrad Belle and/or their recognised agents, directors, employees or insurers will not be held liable for consequential or other damages, losses or expenses in connection with or by reason of or the inability to use the machine for any purpose.

### Warranty Claims

All warranty claims should firstly be directed to Altrad Belle, either by telephone, by Fax, by Email, or in writing.

#### For warranty claims:

Tel: +44 (0)1298 84606

Fax: +44 (0)1298 84722

Email : [warranty@belle-group.co.uk](mailto:warranty@belle-group.co.uk)

#### Write to:

Altrad Belle Warranty Department  
Sheen, Nr. Buxton  
Derbyshire  
SK17 0EU  
England

Ce manuel est rédigé pour vous aider à vous servir et à entretenir la plaque de compactage en toute sécurité. Il est destiné aux concessionnaires et aux opérateurs de la plaque de compactage.

## Avant-propos

La section 'Description de l'appareil' vous permettra de vous familiariser avec l'agencement et les commandes de l'appareil.

La section '**Environnement**' contient des instructions sur les méthodes de recyclage et d'élimination des appareils de recyclage et d'élimination des appareils dans le respect de l'environnement.

'**Santé et Sécurité**' explique la manière dont il faut utiliser l'appareil pour assurer votre sécurité et celle du public en général.

Le paragraphe '**Procédure de mise en route/Arrêt**' vous facilite la mise en route et l'utilisation de l'appareil.

La section '**Entretien et révision**' vous donne des conseils en cas de problèmes concernant votre appareil.

La section '**Dépistage des anomalies**' vous donne des conseils en cas de problème concernant votre appareil.

La section '**Garantie**' donne des renseignements sur la couverture sous garantie et la méthode à suivre pour les réclamations sous garantie.

## Renseignement concernant les notations utilisées dans ce manuel.

Dans ce manuel, il faut prêter une attention toute particulière au texte signalé comme suit :



### **ATTENTION**

*Produit à risque. Vous pouvez vous blesser ou la machine peut être endommagée si vous ne respectez pas la procédure d'utilisation à la lettre.*



### **AVERTISSEMENT**

*Peut être dangereux pour l'utilisateur*



### **AVERTISSEMENT**

*Veillez lire et étudier ce manuel avant toute utilisation ou entretien de cet appareil.*

SAVOIR utiliser les commandes de cet appareil et procéder à son entretien en toute sécurité.

(PS : Assurez-vous de savoir arrêter la machine avant de la démarrer au cas où vous auriez des problèmes).

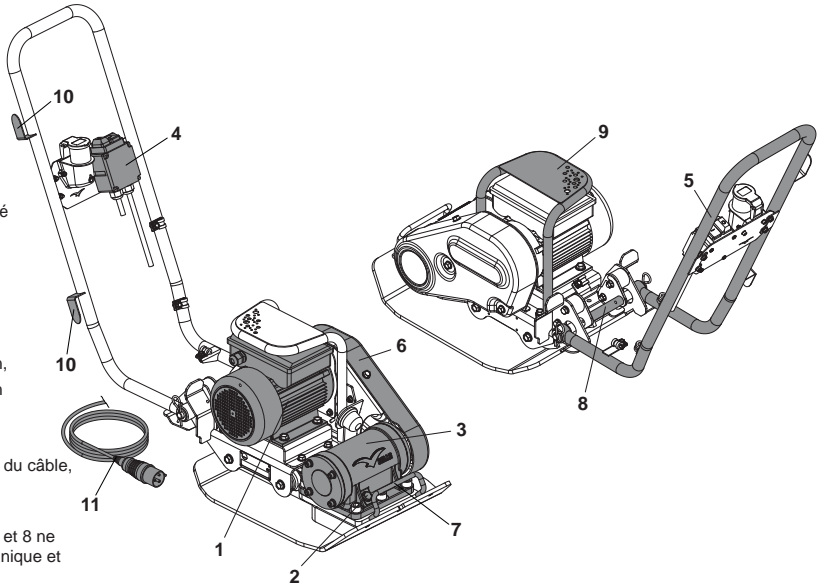
TOUJOURS utiliser les éléments nécessaires à votre protection lors de l'utilisation de la machine.

Pour TOUTES QUESTIONS relatives à l'entretien et l'utilisation en toute sécurité de cet appareil, DEMANDER CONSEIL A VOTRE DIRECTION OU CONTACTER Altrad Belle : +44(0) 1298 84606

Comment utiliser ce manuel.....	16
Avertissement.....	16
Description de l'appareil.....	17
Environnement.....	17
Caractéristiques Techniques.....	18
Etiquettes.....	19
Consignes de sécurité générales.....	20
Santé et sécurité.....	21
But du compactage.....	21
Caractéristiques de compactage.....	21
Applications.....	21
Contrôles de sécurité préalables au démarrage.....	21
Instruction d'utilisation.....	22
Guide de dépistage des anomalies.....	23
Entretien et Maintenance.....	24
Garantie.....	25
Déclaration de conformité.....	2

**Type de machine:**  
Plaque de compactage unidirectionnelle

1. Moteur Electrique
2. Bouchon d'huile d'Unité de vibration.
3. Unité de vibration.
4. Interrupteur.
5. Poigne de commande,
6. Pare courroie,
7. Point de levage à main, (Montant),
8. Point de levage à main (Montant),
9. Carène Moteur,
10. Crochet de rangement du câble,
11. Câble d'alimentation.



Sur les points de levage 7 et 8 ne pas utiliser de palan mécanique et Carène Moteur 9.

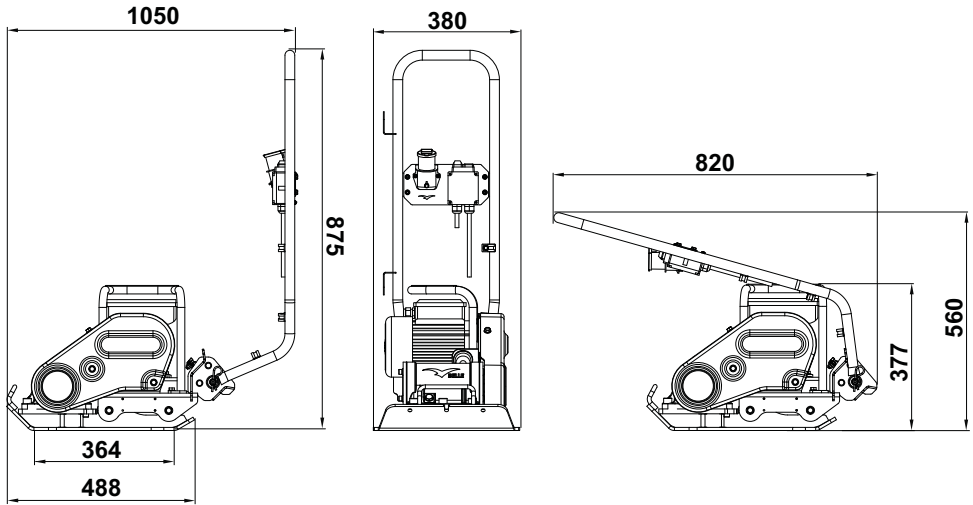
## Respect de L'Environnement

### Elimination en toute sécurité



Instruction pour le respect de l'environnement  
Cet appareil contient des matériaux recyclables.  
Pour vous débarrasser de l'appareil, prière d'emmener l'appareil et les accessoires dans une décharge de recyclage agréée.

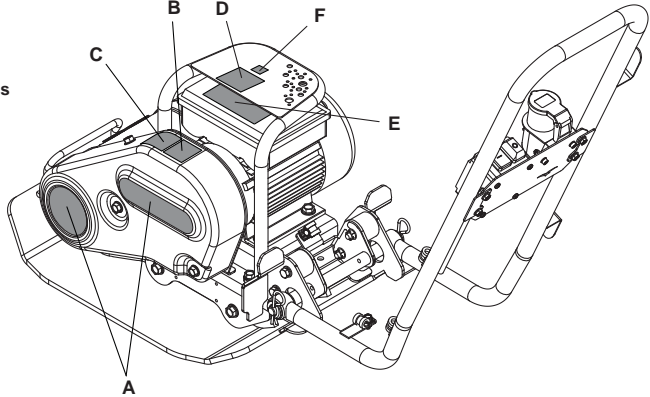
Composant	Matériel
Poignée	Acier
Poignée	Acier
Plaque d'embase	Acier
Poids excentrique	Acier
Moteur Electrique	Acier & Aluminium & Cuivre
Pièces variées	Acier et aluminium



Modèle	110v 50Hz	230v 50Hz
Poids (kg)	50	50
Puissance Moteur (Hp / kW)	2.0 / 1.5	2.0 / 1.5
Régime du moteur (tr/min)	2800	2800
Tension Nominale (v)	110	230
Courant nominal (A)	14.2	6.66
Système de protection	IP44	IP44
Consommation d'énergie (Kwh)	0.94	0.94
Force du vibreur (kN)	12	12
Fréquence (Hz)	50	50
La Taille Minimale du Transformateur (kVA)	3.3	N/A
Vitesse de déplacement Maximum (m/min)	24	24
Déclivité Maximale (°)	20	20
Force de compaction (kg/m <sup>2</sup> )	388	388
Vibration sur 3 axes* (m/sec <sup>2</sup> )	3.97	3.97
Durée d'utilisation (Mins)	190	190
Niveau de puissance sonore (dB(A))	104	104

\* Nivel mínimo a EN500, Parte 4

- A - Etiquette de Marque
- B - Etiquette du Sécurité
- C - Etiquette du Bruit
- D - Etiquette des Conditions Humides
- E - Etiquette de Sécurité de Motor
- F - Etiquette de Pas de levage



### A - Etiquette de Marque

Autocollant de marque pour identifier la machine.

### B - Etiquette du Sécurité (Part No. 19.0.373)



Lire Le  
Manuel  
D'utilisation



Port De  
Chaussures  
De Protection



Port De  
Protection  
Acoustique



Port De  
Lunettes De  
Protection

### C - Etiquette du Bruit

Puissance sonore de la machine (en décibels).

### D - Etiquette des Conditions Humides

**NE PAS** utiliser cette machine dans des conditions humides. Les composants électriques de la machine ne doit jamais être exposé à l'eau ou un liquide quelconque, car cela pourrait entraîner des blessures graves, voire la mort!

### E - Etiquette de Sécurité de Motor

**NE PAS** retirer les couvercles du moteur tandis que le reste branché po Cela peut causer des blessures graves ou même la mort.

### F - Etiquette de pas de Levage

**NE PAS** utiliser la Garde moteur comme point de levage.



Pour votre protection personnelle et pour la sécurité des personnes qui se trouvent à proximité, prière de lire et de bien assimiler les consignes de sécurité suivante. Il incombe à l'opérateur de s'assurer qu'il a bien assimilé la manière d'utiliser cet équipement en toute sécurité. En cas de doute sur l'utilisation correcte en toute sécurité de la plaque de compactage PCLX 12/40E, prière de consulter votre responsable ou Altrad Belle.

**ATTENTION**

*Un entretien mal fait ou une utilisation incorrecte risque d'être dangereux(se). Lisez et assimilez les consignes de sécurité et les conseils d'utilisation avant d'effectuer des opérations d'entretien, de service ou des réparations.*

- Ce matériel est lourd et ne doit pas être soulevé par une seule personne. OBTENEZ DE L'AIDE ou utilisez un équipement de levage approprié. Il existe un ensemble spécial pour le transport du compacteur (voir options).
- Balisez la zone de travail et éloignez les membres du public et tout le personnel non autorisé à une distance sûre.
- Il est impératif que l'opérateur porte un équipement de protection individuelle à chaque fois qu'il utilise cet appareil (voir "Santé et sécurité").
- Vérifiez que vous savez comment couper cet appareil avant de le mettre en marche, en cas de difficultés.
- Toujours éteindre et débrancher le moteur avant de transporter ou déplacer ou ravitailler la machine.
- Durant l'utilisation, le moteur devient très chaud, le laisser refroidir avant de le toucher. Ne jamais laisser le moteur tourner sans surveillance.
- Il ne faut jamais retirer ni modifier les capots de protection installés. Ils sont prévus pour votre protection. Il faut toujours vérifier que les capots sont en bon état et sont bien fixés. Si l'un des capots est endommagé ou manquant, **IL NE FAUT PAS UTILISER LE COMPACTEUR** tant que le capot n'est pas remis en place ou réparé.
- Ne jamais tirer ou diriger la machine par le câble, ne jamais débrancher la machine en tirant sur le câble.
- Il ne faut pas faire fonctionner le compacteur si vous ne vous sentez pas bien, si vous êtes fatigué ou si vous avez abusé d'alcool ou de stupéfiants.
- Assurez-vous que tous les câbles soient sécurisés et qu'aucun d'eux ne puisse se coincer sous la machine ou vous faire trébucher.
- **NE PAS** utiliser la protection du moteur comme point de levage.
- **NE PAS** jet laver la machine est ce qui pourrait entraîner des blessures graves ou même la mort!
- **NE PAS** utiliser cette machine dans des conditions humides. Les composants électriques de la machine ne doit jamais être exposé à l'eau ou un liquide quelconque, car cela pourrait entraîner des blessures graves, voire la mort!
- **Il est recommandé d'utiliser un dispositif à intensité résiduelle sur les circuits électriques 220/240v.**

**Prévention Incendie**

Si la bétonnière prend feu, couper l'alimentation électrique. Eteindre le feu à l'aide d'un extincteur à poudre sèche ou à CO<sub>2</sub>. Si le feu ne peut être éteint, rester à distance et contacter les pompiers. En cas de doute quant aux conditions de sécurité de la machine, veuillez contacter votre Concessionnaire agréé Belle.

**Moteurs Electrique**

Tous les équipements électriques portables sont dangereux s'ils sont mal utilisés. Cette machine ne fonctionne que sur une seule tension. Vérifier que la tension d'alimentation correspond à la tension indiquée sur la plaque signalétique. Assurez-vous que le moteur soit en position «OFF» avant de le brancher à une source de courant.

**220/240v** - Toujours utiliser un dispositif à tension résiduelle (déclenchement de fuite à la terre) directement branché dans la prise 220/240V. Si l'on utilise une rallonge, la brancher directement dans le dispositif à tension résiduelle.

**110v** - En cas d'utilisation d'un transformateur portable, il doit avoir une sortie minimale de 3.3kW et être réglé en continu..

Les symboles sur le commutateur "marche/arrêt" sont conformes 0=OFF et I=ON aux normes internationales.

**AVERTISSEMENT**

**NE PAS** utiliser de rallonge entre le transformateur et l'alimentation. Toujours vérifier que le câble reliant la bétonnière 110v au transformateur à une longueur minimale de 3 mètres. Câble de s'assurer qu'il est équipé d'un câble clip pour la poignée de commande à tout moment.

**Branchements**

La plaque vibrante PCEL 400 E est destinée à l'usage sur site ou chantier, les prises fournies avec la machine sont les suivantes :-

**110v Motor** - 16 ampères classé BS4343.

**230v Motor** - 13 ampères classé 3-Pin BS1363 ou 3-pin Euro CEE/77

Installation d'une prise - **CE PRODUIT DOIT ETRE A TERRE**

**IMPORTANT:** Les fils du câble d'alimentation sont colorés de la façon suivante:

**VERT / JAUNE = TERRE, BLEU = NEUTRE, MARRON = PHASE**

Le fil de couleur vert/jaune doit être connecté à la borne de la fiche marquée E ou de couleur verte et jaune.

Le fil de couleur marron doit être connecté à la borne de la fiche marquée L ou de couleur rouge. Le fil de couleur bleu doit être connecté à la borne de la fiche marquée N ou de couleur noire.

Toujours s'assurer avant de brancher la machine, que le voltage de la prise est le même que celui indiqué sur la machine.

**Rallonges**

Si l'utilisation d'une rallonge est nécessaire, celle-ci ne doit pas dépasser une longueur de 25 mètres. La section du fil doit être de 2.5mm<sup>2</sup> pour 230v et 2.5mm<sup>2</sup> pour 110v. S'assurer que la rallonge est soigneusement installée, en évitant les liquides, les arêtes vives et les lieux de passage des véhicules. Faire en sorte que la rallonge ne puisse pas être écrasée sous la bétonnière. La dérouler complètement pour qu'elle ne surchauffe pas, au risque de prendre feu. S'assurer que tous les branchements de la rallonge sont secs et sûrs.

**Système de sécurité**

Les moteurs fournis avec la machine sont équipés d'un système de sécurité dit « No volt Release ». Cela signifie qu'en cas de coupure de courant, la machine ne redémarrera pas automatiquement une fois le courant rétabli. La machine devra être redémarrée manuellement.

## Vibrations

Une partie des vibrations provoquées par le compactage est transmise par le guidon aux mains de l'opérateur. Reportez vous aux caractéristiques et aux spécifications pour établir le niveau de vibration et des durées d'utilisation (durée d'exposition quotidienne maximale recommandée). IL NE FAUT PAS dépasser la durée d'utilisation maximale

## EPI (Equipelement de protection individuelle).

Lors de l'utilisation de cet appareil, il est impératif de porter un EPI approprié (ex. lunettes de protection, gants de protection, casque antibruit et chaussures à embout d'acier). Il faut porter des vêtements adaptés au travail. Attachez les cheveux longs pour les dégager et ne portez pas de bijoux susceptibles de s'accrocher aux pièces mobiles de l'appareil.

## Poussière.

Le procédé de compactage produit éventuellement de la poussière qui risque d'être nocive pour la santé. Il faut toujours porter un masque approprié au type de poussière produite.

## Buts de Compactage



Après perturbation du sol, ou dans le cas d'un remplissage, d'une couche inférieure de la chaussée ou d'un revêtement hydrocarboné récents, il y aura des petits vides interstitiels ou poches d'air qui risquent de provoquer des problèmes s'ils ne sont pas compactés.

1. Lorsque le trafic traverse une surface sur une partie du sol non compactée, le matériau se comprime, ce qui cause l'affaissement de la surface supérieure au fur et à mesure que le matériau remplit les cavités.
2. C'est ce qui se passe également lorsque des charges statiques s'exercent sur un sol non compacté. La charge (un bâtiment, par exemple) s'enfonce.
3. Les matériaux présentant des vides sont très susceptibles aux infiltrations d'eau, ce qui entraîne des risques d'érosion. Les infiltrations d'eau peuvent également entraîner l'expansion du sol lorsqu'il gèle, ainsi que sa contraction pendant les périodes de sécheresse. En fait, l'expansion et la contraction du sol constituent les principales causes de dégâts des fondations des bâtiments. Il faut éventuellement reprendre la structure en sous-œuvre.

Le compactage augmente la densité du matériau et par conséquent, sa capacité porteuse. Il réduit les vides interstitiels et donc les risques d'affaissement, d'expansion et de contraction dus aux infiltrations d'eau.

## Compaction Specification



On utilisait précédemment diverses méthodes de spécifications du compactage requis dans diverses applications. On tenait compte en autres des propriétés du matériau, de l'épaisseur des couches, de la pression exercée, des vibrations et du nombre de passages. Mais en comprenant mieux le principe du compactage, on a pu établir de nouvelles spécifications. Les spécifications les plus récentes font partie des règlements britanniques NRSWA (Règlements concernant les chantiers de construction de nouvelles routes et rues). Les ingénieurs des Ponts et Chaussées adoptent désormais ces spécifications pour garantir un bon compactage sur tous les chantiers.

## Applications



Il existe trois principales catégories d'applications/matériaux :

1. Matériaux cohésifs (moins de 20% de matériaux granulaires) ex. argile, limon et sols lourds.
2. Matériaux granulaires (plus de 20% de matériaux granulaires) ex. blocaille, sable et sols légers.
3. Matériaux bitumineux ex. asphalte (goudron), couche à froid (produits d'émulsion de bitume).

## Contrôles préalables au démarrage



### Inspection préalable au démarrage

Il faut effectuer l'inspection suivante préalable au démarrage avant le début de chaque séance de travail, ou toutes les quatre heures d'utilisation selon ce qui est échu en premier. Pour les instructions détaillées, veuillez vous reporter à la section « Révisions » Si des défauts sont repérés, il ne faut pas utiliser la plaque de compactage tant que ce défaut n'a pas été rectifié.

1. Bien inspecter qu'il n'y ait pas de danger ou de câbles endommagés. Assurez-vous que la protection de la courroie soit sécurisée avant toute utilisation.
2. Vérifier les tuyauteries, les points de remplissage, bouchons de vidange et tout autres parties pour trouver un signe de fuite. Réparer toute fuite avant d'utiliser la machine.

**AVERTISSEMENT**

*Veillez lire et étudier ce manuel avant toute utilisation ou entretien de cet appareil.*

**AVERTISSEMENT**

*Passer JAMAIS sur le câble électrique avec le compacteur pendant le fonctionnement.*

- **Amenez la plaque de compactage sur le lieu où elle doit fonctionner.**  
**NE PAS** utiliser de levage mécanique sur les points de levage manuels (Voir la section Description de la machine).  
Transport de la PCLX 12/40E est une opération de 2 personnes. Utilisez les points de levage prévus à la main (Voir la section Description de la machine)
- **NE JAMAIS** laisser le moteur tourner pendant le transport ou le déplacement de la machine PCLX 12/40E, même pour une courte distance.
- Après avoir effectué les contrôles figurant à la section «Contrôle préalable au démarrage», vous pouvez mettre le moteur en route.
- **Régler le papillon au maximum et utilisez le levier de commande pour diriger ou faire virer la plaque de compactage.**  
Le vibreur provoque non seulement des vibrations de la plaque d'embase, mais aussi l'avancement de l'appareil. En fonctionnement normal, vous n'avez pas à pousser la PCLX 12/40E; il suffit de la laisser se déplacer tout seul à son propre rythme. La vitesse de déplacement est déterminée par l'état de la surface à compacter. Si la surface à compacter est en pente, il faut agir avec beaucoup de précaution pour bien contrôler le sens de déplacement de la PCLX 12/40E. Vous pouvez le cas échéant, utiliser une corde appropriée attachée à un point abaissé du châssis afin de permettre à une autre personne de reprendre une partie du poids de la PCLX 12/40E. Pour faire un travail en pente, montez et descendez la pente, mais ne travaillez pas en travers.
- **Faites passer la plaque de compactage sur toute la surface selon le schéma logique jusqu'à obtention du compactage requis.**  
S'il faut compacter plusieurs couches différentes, l'une au-dessus de l'autre, compactez chaque couche séparément

**Arrêt du Moteur**

1. Appuyez sur le bouton **ROUGE (O)** pour arrêter la machine (**Fig A**).

**Démarrage du Moteur**

1. Branchez-le sur l'alimentation.
2. Appuyez sur le bouton **VERT (I)** pour démarrer la machine (**Fig B**).

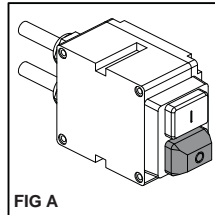


FIG A

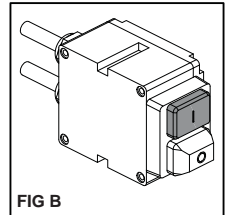


FIG B

**Guide d'utilisation du banc d'essai des appareils portables (PAT) PCEL-E****AVERTISSEMENT**

*Assurez-vous que la plaque soit débranchée avant de procéder aux premières étapes du contrôle visuel!*

Avant le test PAT, une inspection visuelle formelle doit être effectuée par une personne compétente pour s'assurer que la sécurité électrique des équipements suit une procédure correcte. Pour obtenir plus de directives concernant le test PAT et les définitions impliquées, visiter le site internet du gouvernement:

<http://www.hse.gov.uk/electricity/faq-portable-appliance-testing.htm>.

1. Placer le compacteur à plaque PCLX 12/40E dans l'appareil / le support de test (**pièce no. 968/01200**), l'avant de la plaque faisant face aux amortisseurs de vibrations (**point 1**), au repos sur la natte, avec la poignée basculée vers l'arrière (**Fig C**). L'appareil de test doit être placé sur un sol uniforme, en atmosphère sèche, seuls les pieds en caoutchouc étant en contact avec le sol pour un amortissement correct des vibrations (**REMARQUE** : les pieds en caoutchouc **NE SONT PAS** conçus pour isoler le produit du sol).
2. Insérer le support en Z (**point 2**) (**nr. de pièce 968/01205**) dans l'interrupteur en le faisant glisser jusqu'à ce qu'un clic confirme qu'il est correctement positionné, puis appuyer sur la touche verte **ON** de l'interrupteur.
3. Relier un testeur PAT homologué en le configurant conformément à vos spécifications PCLX 12/40E (ex. tension ; classe d'isolation de l'appareil; type correct de test, etc.).
4. Assurez-vous qu'aucun humain ou animal, ni aucun objet, ne touchent le compacteur à plaque PCEL-E et le support de test PAT, et qu'il n'y a aucun risque que cela se produise durant le test. Effectuer le test quand vous avez la certitude qu'il peut se dérouler en toute sécurité.

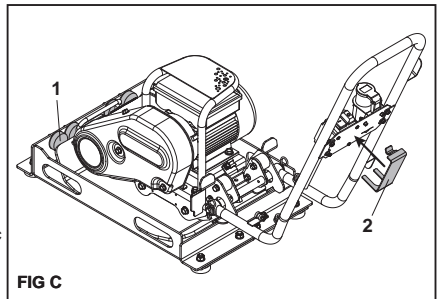


FIG C

Probleme	Cause	Solution
<b>Le moteur ne démarre pas</b>	Fusible ou disjoncteur débranchés	Remplacer le fusible ou réarmer le disjoncteur
	Le stator est court-circuité ou a terre. Le moteur émettra un bourdonnement et le disjoncteur ou le fusible s'enclencheront.	Contacteur le revendeur ou Altrad Belle
	Surcharge du moteur ou charge coincée	Inspecter pour voir si la charge est libre. Si libre, contacter le revendeur ou Altrad Belle
	Le condensateur (sur moteur monophasé) peut avoir échoué	Contacteur le revendeur ou Altrad Belle
	Le démarrage par bouton a échoué	Contacteur le revendeur ou Altrad Belle
<b>Le moteur tourne mais au ralenti</b>	Tension insuffisante	Si la tension est en dessous de 10% du taux initial, contacter le fournisseur du moteur ou vérifier si un autre équipement n'est pas en train de prendre l'énergie de la machine (branchement sur une même source de courant). Sinon, Contacter le vendeur ou Altrad Belle
	La charge a augmentée	Vérifier si la charge n'a pas changée ou si la machine tourne librement. Vérifier que le fonctionnement du ventilateur n'ait pas changé. Sinon, contacter le revendeur ou Altrad Belle.
<b>Le moteur prend trop de temps pour accélérer</b>	Condensateur defectueux	Contacteur le revendeur ou Altrad Belle
	Commutateur Fixe defectueux	Contacteur le revendeur ou Altrad Belle
	Mauvais Roulements	Contacteur le revendeur ou Altrad Belle
	Tension trop basse	Assurez vous que la tension est comprise entre +/- 10% de la tension necessaire au fonctionnement de la machine. Si non, contacter le fournisseur du moteur ou vérifier si un autre équipement n'est pas en train de prendre l'énergie de la machine. Sinon, contacter le revendeur ou Altrad Belle.
<b>La protection contre la surcharge du moteur s'enclenche constamment</b>	Charge trop haute	Vérifier que la charge n'est pas coincée. Si il s'agit d'un moteur de remplacement, assurez vous que celui-ci possède le même taux de tension que l'ancien. Si l'ancien moteur était issu d'une conception spéciale, un moteur standard ne peut reproduire les performances du précédent. Retirer la charge du moteur et vérifier qu'il ne disjoncte pas.
	Temperature ambiante trop élevée	Vérifier que le moteur recueille assez d'air pour son refroidissement. Beaucoup de moteurs sont conçus pour tourner a temperature ambiante de moins de 40°C. (NB: En fonctionnement normal, le moteur peut être chaud au toucher.)
	La sécurité est peut être defectueuse	Contacteur le revendeur ou Altrad Belle
	Roulements court-circuités	Contacteur le revendeur ou Altrad Belle
<b>Le moteur émet un grincement ou un bruit de frottement fort</b>	Dommages intérieurs	Contacteur le revendeur ou Altrad Belle
<b>Pas de vibrations.</b>	Courroie d'entraînement détendue.	Régler la tension de la courroie.
	Panne d'entraînement.	Contacteur un Agent ou Altrad Belle.
	Panne du vibreur.	Contacteur le technicien de service local.
<b>Asphalte adhère à la plaque. Ecaillage de la surface bitumineuse (feuilletage)</b>	Manque de lubrification.	Utiliser le système d'arrosage à eau
	Sur compactage.	La retirer et la reposer.
<b>Faible vitesse d'avancement.</b>	Epaisseur de couche trop grande.	Retirer la partie du matériau.
	Teneur en humidité trop haute ou trop faible.	Retirer le matériau et ajouter de la teneur.

**Entretien**

La gamme PCLX 12/40E des plaques Altrad Belle est conçue pour donner de nombreuses années de services sans problèmes. Il est recommandé de s'adresser à un concessionnaire agréé Altrad Belle pour effectuer toutes les opérations d'entretien importantes et toutes les réparations éventuelles. Il faut toujours utiliser des pièces d'origine Altrad Belle. L'utilisation de pièces de marque autre que la marque Altrad Belle risque d'annuler votre garantie.

Avant toute opération de maintenance sur la machine, débrancher le moteur et débrancher la machine de la source d'alimentation. Il faut placer le compacteur sur un sol plat et horizontal afin d'obtenir une lecture exacte des niveaux des liquides. Utilisez uniquement les huiles préconisées (voir la table page suivante).

**Rodage**

Il faut vidanger l'huile du carter de l'axe du vibreur au bout des premières 100 heures de fonctionnement, puis toutes les 500 heures de fonctionnement par la suite. Pour des renseignements sur la vidange de l'huile du carter du vibreur, reportez vous à la section «Vibreur». Il faut vérifier la tension de la courroie toutes les 4 heures d'utilisation.

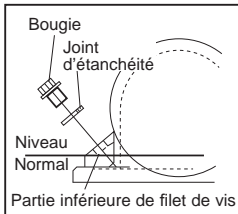
**Nettoyage**

Ceci est un appareil électrique. Pendant le nettoyage, les composants électriques de cette machine ne doit jamais être exposé à l'eau ou un liquide quelconque, car cela pourrait entraîner des blessures graves, voire la mort!

Fréquence d'entretien		Avant Chaque Utilisation	4 Premières Heures	Premier Mois / 20 Heures	3 Mois / 50 Heures
Câbles	Vérifier	✓			
	Remplacez-les si nécessaire				
Courroie d'entraînement	Tension		✓	✓	✓

**Type et quantité d'huile/de carburant**

	Type d'huile Oleo	Quantité (Litres)	Type de Carburant	Quantité (Litres)	Type de Bougie	Entrefer d'electrode (mm)
Vibreur	SAE 10w40	0.22	N/A	N/A	N/A	N/A

**Unité de vibration.**

Retirez la bougie munie du joint d'étanchéité. Vérifiez que le niveau d'huile arrive au fond du filet du trou prévu pour le bouchon d'huile. Faites l'appoint d'huile préconisée, le cas échéant (voir tableau).

La plaque de compactage unidirectionnelle PCLX 12/40E neuve de Altrad Belle est garantie à l'acquéreur d'origine un an (12 mois) à partir de la date originale de l'achat.

La garantie Altrad Belle s'applique à tous défauts de matériaux ou à un vice de conception ou de fabrication.

La garantie Altrad Belle ne couvre pas ce qui suit :

1. Dégâts causés par un usage abusif, négligent, une chute ou tous autres dégâts similaires causés par le non-respect des instructions concernant l'assemblage, l'utilisation ou les opérations d'entretien à effectuer par l'utilisateur, ou résultant de celle-ci.
2. Toutes modifications, additions ou réparations effectuées par des personnes autres que les responsables de Altrad Belle ou ses agents agréés.
3. Les frais de transport ou d'expédition pour retourner l'appareil à Altrad Belle, ou ses agents agréés, et le renvoyer, en vue de le faire réparer ou évaluer après revendication sous garantie.
4. Les coûts des matériaux et/ou de la main-d'œuvre requis pour remplacer, réparer ou renouveler les composants en raison d'une usure raisonnable.

Sont exclus de la garantie les composants suivants :

- Courroie(s) d'entraînement

Altrad Belle et/ou ses agents agréés, directeurs, employés ou assureurs ne sont pas tenus responsables de tous dégâts consécutifs ou autres, pertes ou dépenses encourus en relation avec l'utilisation de l'appareil, ou l'incapacité d'utiliser l'appareil dans un but quel qu'il soit.

### Réclamations sous garantie

Il faut tout d'abord adresser toutes réclamations sous garantie à Altrad Belle par téléphone, fax, e-mail ou par courrier.

### Pour les revendications sous garantie:

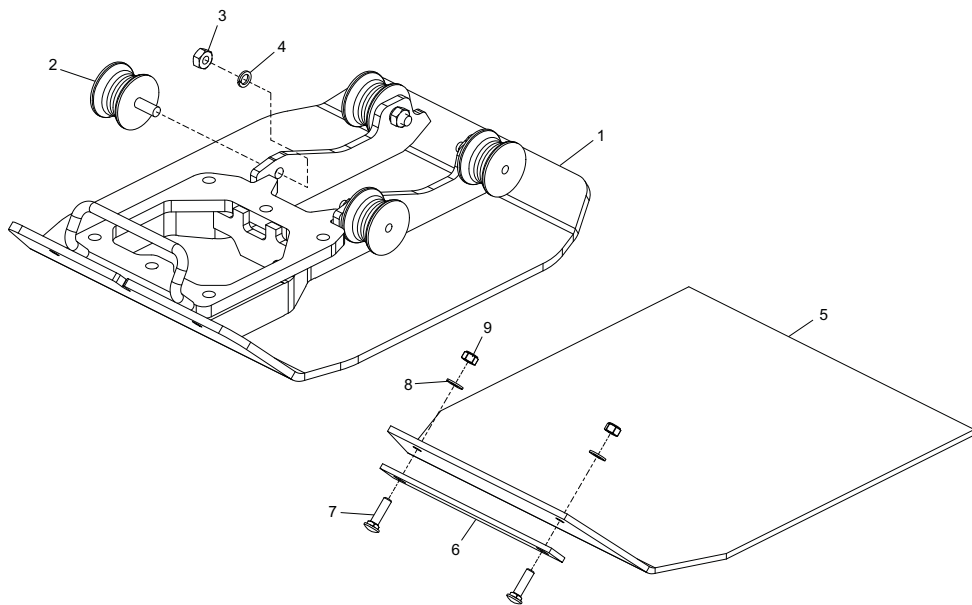
Tel: +44 (0)1298 84606

Fax: +44 (0)1298 84722

Email : [warranty@belle-group.co.uk](mailto:warranty@belle-group.co.uk)

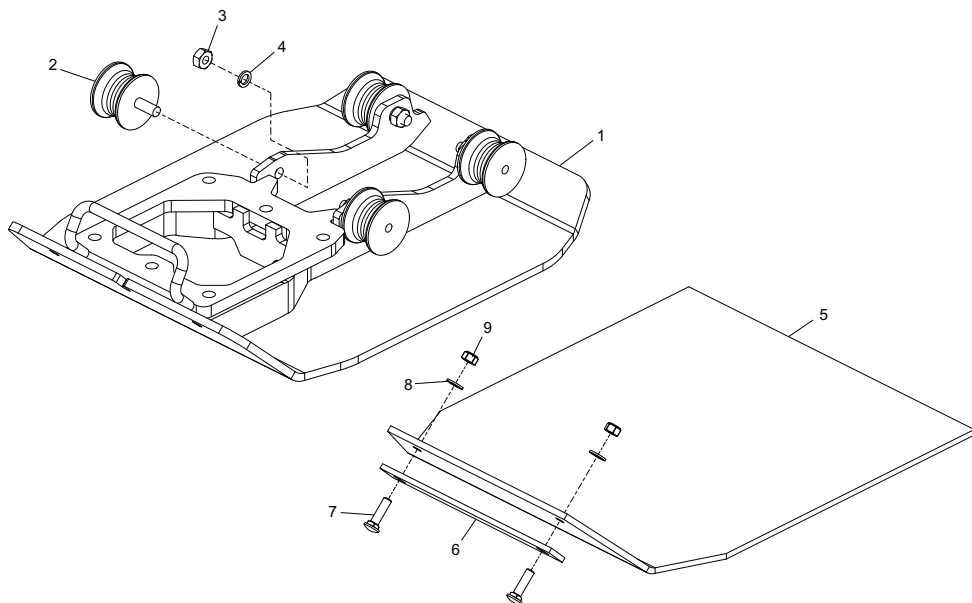
### Prière d'écrire à :

Altrad Belle Warranty Department,  
Sheen, Nr. Buxton,  
Derbyshire  
SK17 0EU  
Angleterre



**Baseplate Assembly, Plaque d'embase,  
Cto. Placa de Base, Conj. Placa de Base**

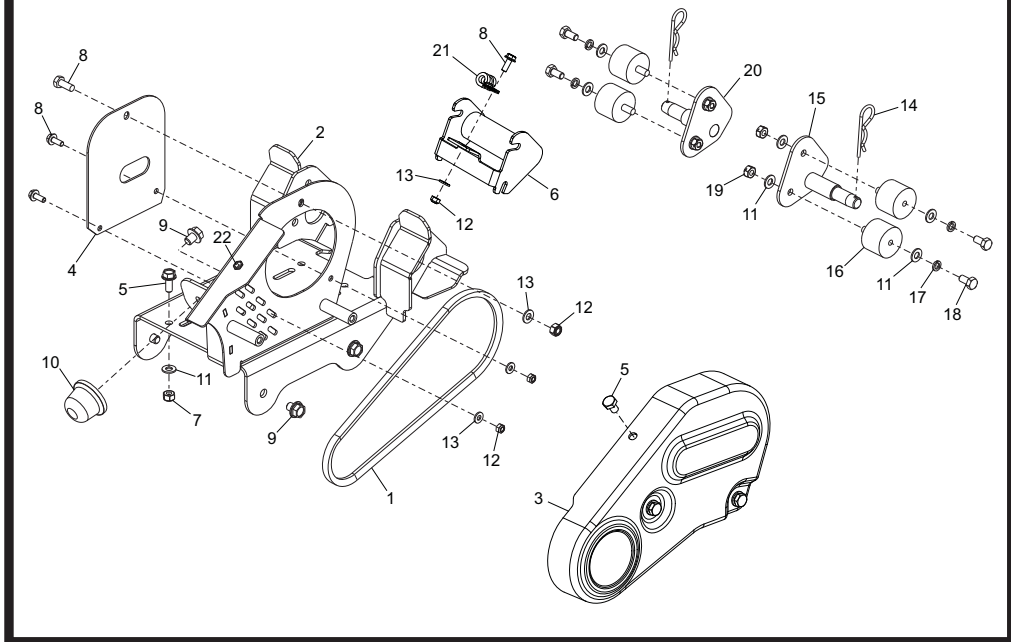
1	968/01000	.....	Baseplate	.....	Plaque d'embase	.....	Placa de base	.....	Placa de Base	.....	1
2	21.0.292	.....	Anti-Vibration Mount	.....	Tampon antivibratoire	.....	Montura antivibratoria	.....	Bloco Anti-vibração	.....	4
3	8/10003	.....	Nut	.....	Ecrou	.....	Tuerca	.....	Porca	.....	M10
4	4/1003	.....	Washer	.....	Rondelle	.....	Arandela	.....	Anilha	.....	M10
5	968/99909	.....	Paving Pad	.....	Tampon de Pavage	.....	Tampón de Pavimentación	.....	Bloco de Pavimentação	.....	1
6	943/99907	.....	Clamp Strip	.....	Barrette de blocage	.....	Barra de fijación	.....	Tira de Grampeamento	.....	1
7	00.0.860	.....	Bolt	.....	Boulon	.....	Perno	.....	Perno	.....	M8 x 30
8	4/8006	.....	Washer	.....	Rondelle	.....	Arandela	.....	Anilha	.....	M8
9	8/8008	.....	Nut	.....	Ecrou	.....	Tuerca	.....	Porca	.....	M8



## Vloerplaat, Rüttelplatten -Zsb., Bundplade, Gruppo Piastra di Base

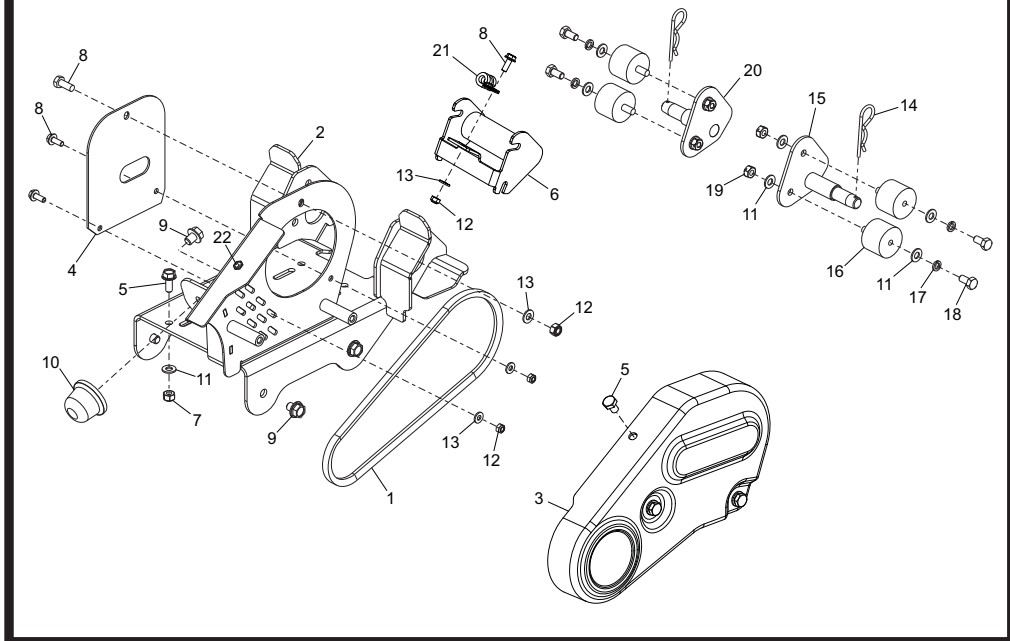
1	968/01000	..... Vloerplaat	..... Rüttelplatten	..... Bundplade	..... Piastra di Base	..... 1
2	21.0.292	..... Anti-trilbevestiging	..... Schwingungsdämpfer	..... Antivibrationsophæng	..... Supporto antivibrazioni	..... 4
3	8/10003	..... Moer	..... Mutter	..... Møtrik	..... Dado M10	..... 4
4	4/1003	..... Afdichtring	..... Scheibe	..... Spændeskive	..... Rondella M10	..... 4
5	968/99909	..... Paving Pad	..... Tampon de Pavage	..... Tampón de Pavimentación	..... Bloco de Pavimentação	..... 1
6	943/99907	..... Clamp Strip	..... Barrette de blocage	..... Barra de fijación	..... Tira de Grampeamento	..... 1
7	00.0.860	..... Bouten	..... Bolzen	..... Skruebolt	..... Bullone M8 x 30	..... 2
8	4/8006	..... Afdichtring	..... Scheibe	..... Spændeskive	..... Rondella M8	..... 2
9	8/8008	..... Moer	..... Mutter	..... Møtrik	..... Dado M8	..... 2





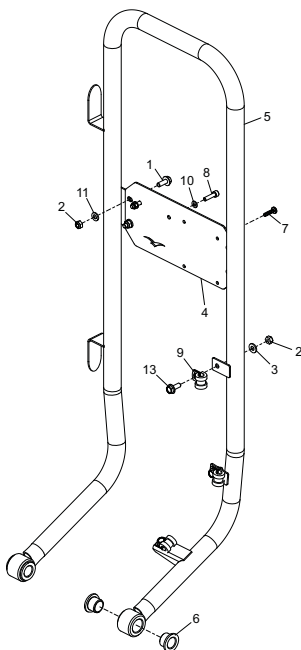
## Bedplate Assembly, Ensemble Socle, Conjunto de Bancada, Conjunto da Placa de Apoio

1	21/0148	Belt	Courroie	Correa	Cinta	1
2	968/00100	Bedplate	Plaque d'assise	Bancada	Placa de Apoio	1
3	968/99901S	Belt Guard - Orange	Capot de courroie - Orange	Protector de la correa - Naranja	Guarda da Cinta - Laranja	1
3	968/99901B	Belt Guard - Blue	Capot de courroie - Bleu	Protector de la correa - Azul	Guarda da Cinta - Azul	1
3	968/99901G	Belt Guard - Green	Capot de courroie - Vert	Protector de la correa - Verde	Guarda da Cinta - Verde	1
3	968/99901R	Belt Guard - Red	Capot de courroie - Rouge	Protector de la correa - Roja	Guarda da Cinta - Vermelho	1
3	968/99901Y	Belt Guard - Yellow	Capot de courroie - Jaune	Protector de la correa - Amarillo	Guarda da Cinta - Amarelo	1
3	968/99901W	Belt Guard - White	Capot de courroie - Blanc	Protector de la correa - Blanco	Guarda da Cinta - Branco	1
4	968/99908	Plate	Plaque	Placa	Placa	1
5	7/8037	Screw	Vis	Tornillo	Parafuse	M8 x 20
6	943/20000	Handle	Guidon	Manillar	Punho	1
7	8/8008	Nut	Ecrou	Tuerca	Porca	M8
8	7/6064	Screw	Vis	Tornillo	Parafuse	M6 x 16
9	7/10025	Screw	Vis	Tornillo	Parafuse	M10 x 12
10	21.0.333	Rubber Stop	Butée en caoutchouc	Tope de caucho	Batente de Borracha	1
11	4/8006	Washer	Rondelle	Arandela	Anilha	M8
12	8/6007	Nut	Ecrou	Tuerca	Porca	M6
13	4/6007	Washer	Rondelle	Arandela	Anilha	M6
14	3/2004	R-Clip	Collier en "R"	Abrazadera "R"	Gancho "R"	2
15	968/00500	Pivot	Pivot	Pivote	Pivô	1
16	21/0157	Anti-Vibration Mount	Tampon antivibratoire	Montura antivibratoria	Bloco Anti-vibração	1
17	4/8003	Washer	Rondelle	Arandela	Anilha	4
18	7/8008	Screw	Vis	Tornillo	Parafuse	M8
19	8/8002	Nut	Ecrou	Tuerca	Porca	M8
20	968/00600	Pivot	Pivot	Pivote	Pivô	1
21	900/10200	P-Clip	Collier en "P"	Abrazadera "P"	Gancho "P"	1
22	8/8011	Nut	Ecrou	Tuerca	Porca	M8



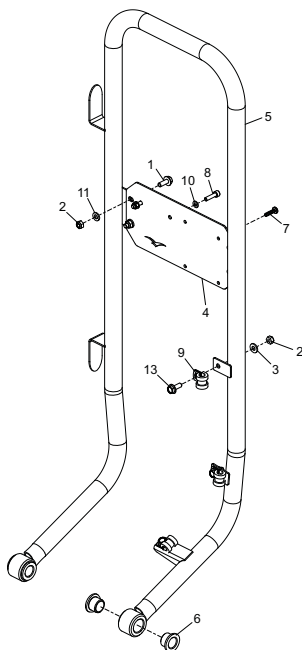
## Grondplaat, Sohlplatten-Zsb., Fundamentplademontage, Gruppo Piastra di Base

1	21/0418	..... Riem	..... Riemen	..... Remmen	..... Cinghia	..... 1
2	968/00100	..... Grondplaat	..... Sohlplatte	..... Fundamentplade	..... Piastra di Base	..... 1
3	968/99901S	..... Riembeschermkap - Oranje	..... Riemenabdeckung - Orange	..... Remskærm - Orange	..... Protezione Cinghia - Arancione	..... 1
3	968/99901B	..... Riembeschermkap - Blauw	..... Riemenabdeckung - Blau	..... Remskærm - Blå	..... Protezione Cinghia - Blu	..... 1
3	968/99901G	..... Riembeschermkap - Groen	..... Riemenabdeckung - Grün	..... Remskærm - Grøn	..... Protezione Cinghia - verde	..... 1
3	968/99901R	..... Riembeschermkap - Rood	..... Riemenabdeckung - Rot	..... Remskærm - Rød	..... Protezione Cinghia - Rosso	..... 1
3	968/99901Y	..... Riembeschermkap - Geel	..... Riemenabdeckung - Gelb	..... Remskærm - Gul	..... Protezione Cinghia - Giallo	..... 1
3	968/99901W	..... Riembeschermkap - Wit	..... Riemenabdeckung - Weiß	..... Remskærm - Hvid	..... Protezione Cinghia - Bianco	..... 1
4	968/99908	..... Plaat	..... Platte	..... Plade	..... Piastra	..... 1
5	7/8037	..... Schroef	..... Schraube	..... Skruue	..... Vite	..... M8 x 20
6	943/20000	..... Hendel	..... Griff	..... Håndtag	..... Impugnatura	..... 1
7	8/8008	..... Moer	..... Mutter	..... Møtrik	..... Dado	..... M8
8	7/6064	..... Schroef	..... Schraube	..... Skruue	..... Vite	..... M6 x 16
9	7/10025	..... Schroef	..... Schraube	..... Skruue	..... Vite	..... M10 x 12
10	21.0.333	..... Aanslagrubber	..... Gummianschlag	..... Gummistop	..... Arresto in gomma	..... 1
11	4/8006	..... Afdichtring	..... Scheibe	..... Spændeskive	..... Rondella	..... M8
12	8/6007	..... Moer	..... Mutter	..... Møtrik	..... Dado	..... M6
13	4/6007	..... Afdichtring	..... Scheibe	..... Spændeskive	..... Rondella	..... M6
14	3/2004	..... R-klemmen	..... "R"-Schellen	..... "R"-klemmer	..... Fermagli a "R"	..... 2
15	968/00500	..... Roteren	..... Achse	..... Dreje	..... Perno	..... 1
16	21/0157	..... Anti-trilbevestiging	..... Schwingungsdämpfer	..... Antivibrationsophæng	..... Supporto antivibrazioni	..... 4
17	4/8003	..... Afdichtring	..... Scheibe	..... Spændeskive	..... Rondella	..... 4
18	7/8008	..... Schroef	..... Schraube	..... Skruue	..... Vite	..... M8
19	8/8002	..... Moer	..... Mutter	..... Møtrik	..... Dado	..... M8
20	968/00600	..... Roteren	..... Achse	..... Dreje	..... Perno	..... 1
21	900/10200	..... P-klemmen	..... "P"-Schellen	..... "P"-klemmer	..... Fermagli a "P"	..... 5
22	8/8011	..... Moer	..... Mutter	..... Møtrik	..... Dado	..... M8



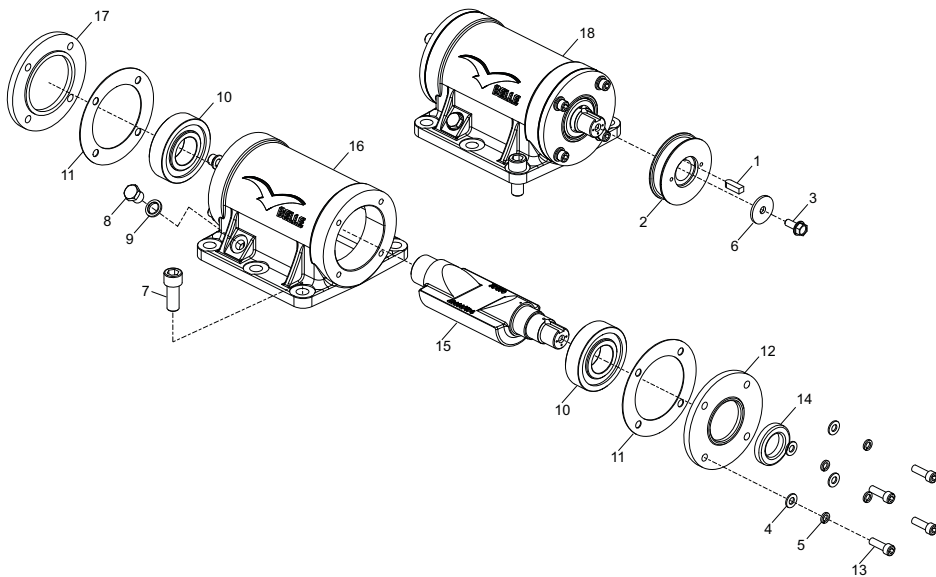
## Handle Assembly, Ensemble Poignée, Conjunto de Manillar, Conjunto do Punho

1	7/6034	.....	Screw	.....	Vis	.....	Tornillo	.....	Parafuse	.....	4
2	8/6007	.....	Nut	.....	Ecrou	.....	Tuerca	.....	Porca	.....	4
3	4/6007	.....	Washer	.....	Rondelle	.....	Arandela	.....	Anilha	.....	M6
4	943/99963	.....	Plate	.....	Plaque	.....	Placa	.....	Placa	.....	M6
5	943/19000S	.....	Handle - Orange	.....	Guidon - Orange	.....	Manillar - Naranja	.....	Punho - Laranja	.....	1
5	943/19000B	.....	Handle - Blue	.....	Guidon - Bleu	.....	Manillar - Azul	.....	Punho - Azul	.....	1
5	943/19000G	.....	Handle - Green	.....	Guidon - Vert.	.....	Manillar - Verde	.....	Punho - Verde	.....	1
5	943/19000R	.....	Handle - Red	.....	Guidon - Rouge	.....	Manillar - Roja	.....	Punho - Vermelho	.....	1
5	943/19000Y	.....	Handle - Yellow	.....	Guidon - Jaune	.....	Manillar - Amarillo	.....	Punho - Amarelo	.....	1
5	943/19000W	.....	Handle - White	.....	Guidon - Blanc	.....	Manillar - Blanco	.....	Punho - Branco	.....	1
6	50/000068	.....	Bush	.....	Douille	.....	Buje	.....	Bucha	.....	4
7	7/5019	.....	Screw	.....	Vis	.....	Tornillo	.....	Parafuse	.....	M5 x 19
8	7/5025	.....	Screw	.....	Vis	.....	Tornillo	.....	Parafuse	.....	M5 x 20
9	900/10200	.....	P-Clip	.....	Collier en "P"	.....	Abrazadera "P"	.....	Gancho "P"	.....	1
11	4/6001	.....	Washer	.....	Rondelle	.....	Arandela	.....	Anilha	.....	M6
13	7/6034	.....	Screw	.....	Vis	.....	Tornillo	.....	Parafuse	.....	M6 x 16



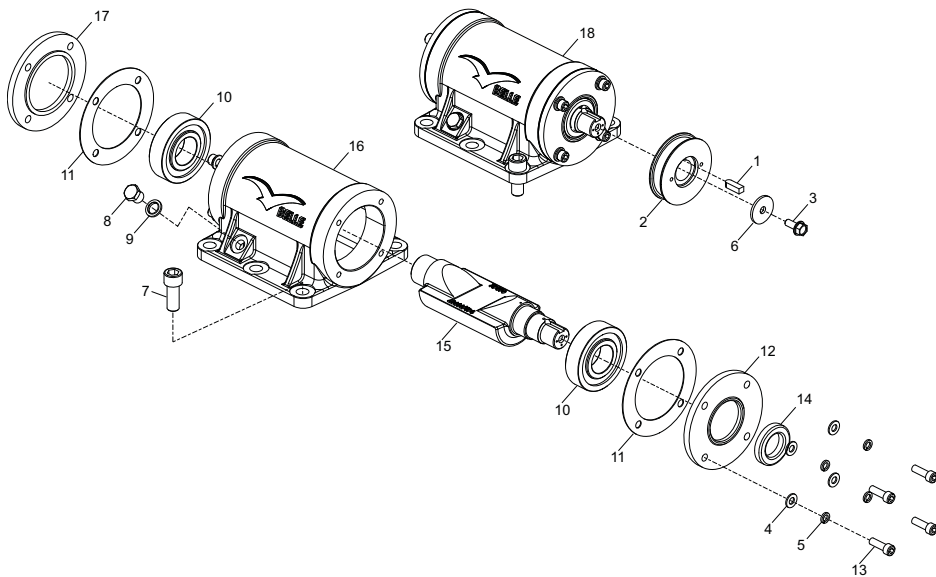
## Complete Hendel, Griff-zsb., Håndtagsenhed, Gruppo Impugnatura

1	7/6034	..... Schroef	..... Schraube	..... Skruer	..... Vite	.....	4
2	8/6007	..... Moer	..... Mutter	..... Møtrik	..... Dado	..... M6	4
3	4/6007	..... Afdichtring	..... Scheibe	..... Spændeskive	..... Rondella	..... M6	4
4	943/99963	..... Plaat	..... Platte	..... Plade	..... Piastra	.....	1
5	943/19000S	..... Hendel - Oranje	..... Griff - Orange	..... Håndtag - Orange	..... Impugnatura - Arancione	.....	1
5	943/19000B	..... Hendel - Blauw	..... Griff - Blau	..... Håndtag - Blå	..... Impugnatura - Blu	.....	1
5	943/19000G	..... Hendel - Groen	..... Griff - Grün	..... Håndtag - Grøn	..... Impugnatura - Verde	.....	1
5	943/19000R	..... Hendel - Rood	..... Griff - Rot	..... Håndtag - Rød	..... Impugnatura - Rosso	.....	1
5	943/19000Y	..... Hendel - Geel	..... Griff - Gelb	..... Håndtag - Gul	..... Impugnatura - Giallo	.....	1
5	943/19000W	..... Hendel - Wit	..... Griff - Weiß	..... Håndtag - Hvid	..... Impugnatura - Bianco	.....	1
6	50/000068	..... Bus	..... Buchse	..... Bøsning	..... Boccola	.....	4
7	7/5019	..... Schroef	..... Schraube	..... Skruer	..... Vite	..... M5 x 19	4
8	7/5025	..... Schroef	..... Schraube	..... Skruer	..... Vite	..... M5 x 20	2
9	900/10200	..... P-klemmen	..... 'P'-Schellen	..... 'P'-klemmer	..... Fermagli a "P"	.....	2
11	4/6001	..... Afdichtring	..... Scheibe	..... Spændeskive	..... Rondella	..... M6	2
13	7/6059	..... Schroef	..... Schraube	..... Skruer	..... Vite	..... M6 x 16	3



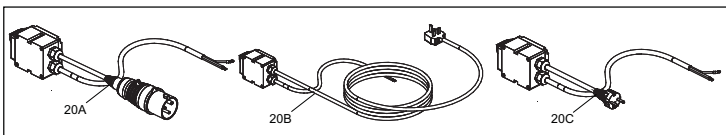
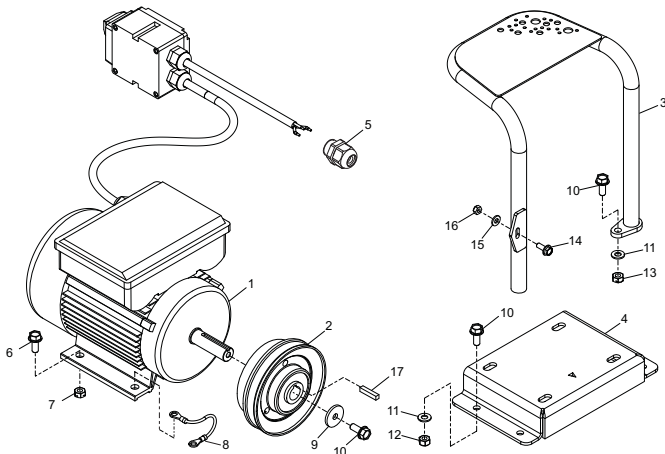
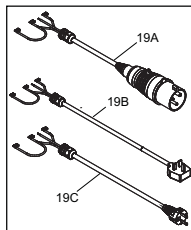
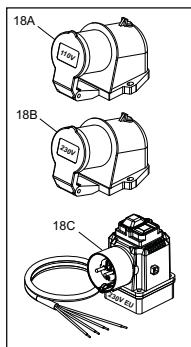
**Vibrator Unit, Unité de Vibration,  
Unidade Vibradora, Unidade do Vibrador**

1	06.3.014	Key	Clavette	Chaveta	Chaveta	8 x 7 x 25	1
2	943/99961	Pulley	Poelie	Polea	Polia		1
3	7/8037	Screw	Vis	Tornillo	Parafuse	M8 x 20	1
4	4/8006	Washer	Rondelle	Arandela	Anilha	M8	8
5	4/8003	Washer	Rondelle	Arandela	Anilha	M8	8
6	4/8014	Washer	Rondelle	Arandela	Anilha	M8	1
7	7/14001	Screw	Vis	Tornillo	Parafuse	M14 x 35	6
8	MS12	Bung	Obturateur	Tapón	Tampão	1/4"	1
9	15.0.102	Washer	Rondelle	Arandela	Anilha		1
10	12.1.057	Bearing	Roulement	Cojinete	Rolamento		2
11	943/99904	Gasket	Joint	Junta	Gaxeta		2
12	77.0.015	End Cover	Carter d'extrémité	Tapa de fondo	Tampa de extremidade		1
13	7/8010	Screw	Vis	Tornillo	Parafuse	M8 x 25	4
14	15.0.196	Oil Seal	Joint d'étanchéité à l'huile	Obturator aceite	Vedação de Óleo		1
15	942/99907	Vibrator Shaft	Axe	Eje	Veio		1
16	151/99999	Housing	Carter de boîte de vitesses	Envoltura de la transmisión	Estojo da caixa de engrenagens		1
17	77.0.016	End Cover	Carter d'extrémité	Tapa de fondo	Tampa de extremidade		1
18	PCLX/VIB-03SP	Vibrator Assembly	Ensemble vibreur	Conjunto de vibrador	Conjunto do Vibrador		1



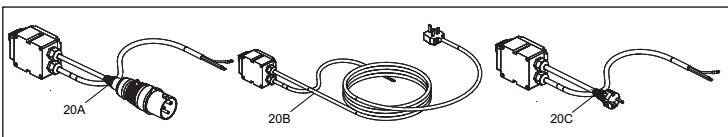
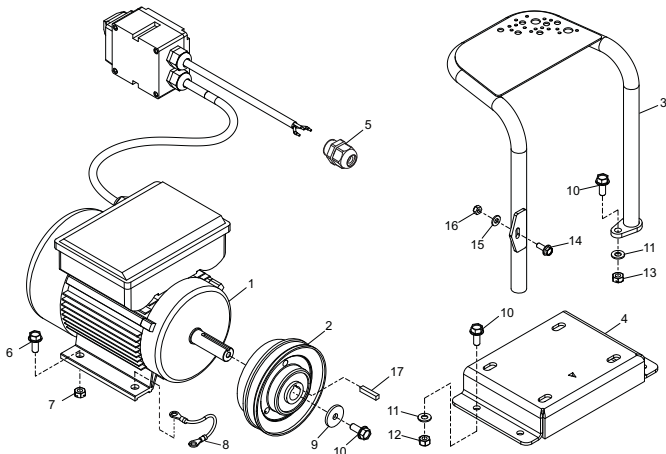
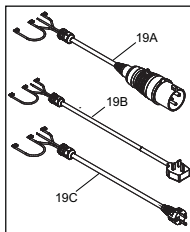
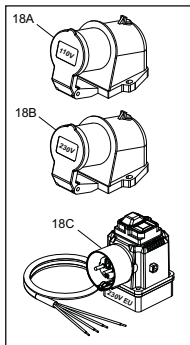
## Trilelement, Rüttlerenteil, Vibratorenhed, Gruppo Vibratore

1	06.3.014	Spie	Keil	Feder	Chiave	8 x 7 x 25	1
2	943/99961	Poelle	Riemenscheibe	Remskive	Puleggia		1
3	7/8037	Schroef	Schraube	Skru	Vite	M8 x 20	1
4	4/8006	Afdichtring	Scheibe	Spændeskive	Cuscinetto	M8	8
5	4/8003	Afdichtring	Scheibe	Spændeskive	Cuscinetto	M8	8
6	4/8014	Washer	Rondelle	Arandela	Anilha	M8	1
7	7/14001	Schroef	Schraube	Skru	Vite	M14 x 35	6
8	MS12	Plug	Verschlusschraube	Prop	Candela	1/4"	1
9	15.0.102	Afdichtring	Scheibe	Spændeskive	Cuscinetto		1
10	12.1.057	Lager	Lager	Leje	Rolamento		2
11	943/99904	Tætningsring	Flachdichtung	Pakking	Gaurnizione		2
12	77.0.015	Einddeksel	Endschild	Endedæksel	Coperchio Estremità		1
13	7/8010	Schroef	Schraube	Skru	Vite	M8 x 25	4
14	15.0.196	Oliefafdichtring	Oldichtung	Oliepakning	Paraolio		1
15	942/99907	As	Welle	Aksel	Albero		1
16	151/99999	Versnellingsbakhuis	Getriebekasten	Gearkassehus	Involucro scatola ingranaggi		1
17	77.0.016	Einddeksel	Endschild	Endedæksel	Coperchio Estremità		1
18	PCLX/VIB-03SP	Trilelement	Rüttelwerk	Vibratorenhed	Gruppo vibratore		1



## Motor and Drive Kit, Moteur et Kit d'Entraînement, Motor y Kit Transmision, Motor e Kit de Transmissão

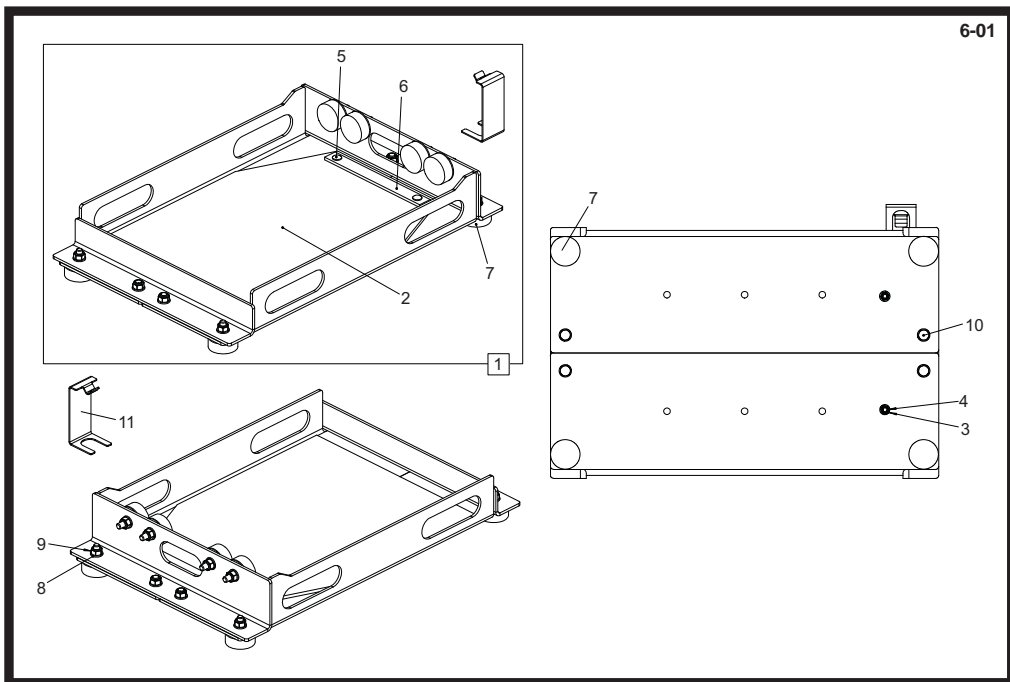
1A	20/0126	Motor	Moteur	Motor	Motor	110v	1
1B	20/0124	Motor	Moteur	Motor	Motor	230v	1
2	20/0416	Clutch	Embrayage	Embrague	Embraiagem		1
3	943/18000	Guard	Carène	Defensa	Guarda		1
4	943/99962	Motor Deck	Plate-Forme De Moteur	Cubierta Motor	Plataforma motor		1
5	70/0288	Gland	Presse-étoupe	Prensaestopas	Bucha		1
6	7/10039	Screw	Vis	Tornillo	Parafuso	M10 x 20	4
7	8/10001	Nut	Ecrou	Tuerca	Porca	M10	4
8	71/0303	Earth Cable	Cable - de Terre	Cable - Positivo	Cable - Terra		1
9	4/8014	Washer	Rondelle	Arandela	Anilha		1
10	7/8037	Screw	Vis	Tornillo	Parafuso	M8 x 20	6
11	4/8006	Washer	Rondelle	Arandela	Anilha	M8	5
12	8/8008	Nut	Ecrou	Tuerca	Porca	M8	4
13	8/8002	Nut	Ecrou	Tuerca	Porca	M8	1
14	7/6034	Screw	Vis	Tornillo	Parafuso	M6 x 14	1
15	4/6007	Washer	Rondelle	Arandela	Anilha	M6	1
16	8/6007	Nut	Ecrou	Tuerca	Porca	M6	1
17	21/0419	Key	Clavette	Chaveta	Chave	3/16" x 37.8mm	1
18A	70/0285	Socket	Prise	Enchufe	Tomado	110v	1
18B	70/0286	Socket	Prise	Enchufe	Tomado	230v	1
18C	70/0287	Socket	Prise	Enchufe	Tomado	230v EU	1
19A	71/0288	Harness	Faisceau	Cableado	Arnês	110v	1
19B	71/0284	Harness	Faisceau	Cableado	Arnês	230v	1
19C	71/0283	Harness	Faisceau	Cableado	Arnês	230v EU	1
20A	71/0291	Harness	Faisceau	Cableado	Arnês	110v	1
20B	71/0290	Harness	Faisceau	Cableado	Arnês	230v	1
20C	71/0292	Harness	Faisceau	Cableado	Arnês	230v EU	1



**Motor en Aandrijfset, Motor und Antriebsbausatz,  
Motor og Gearkit, Motore e Kit Trasmissione**

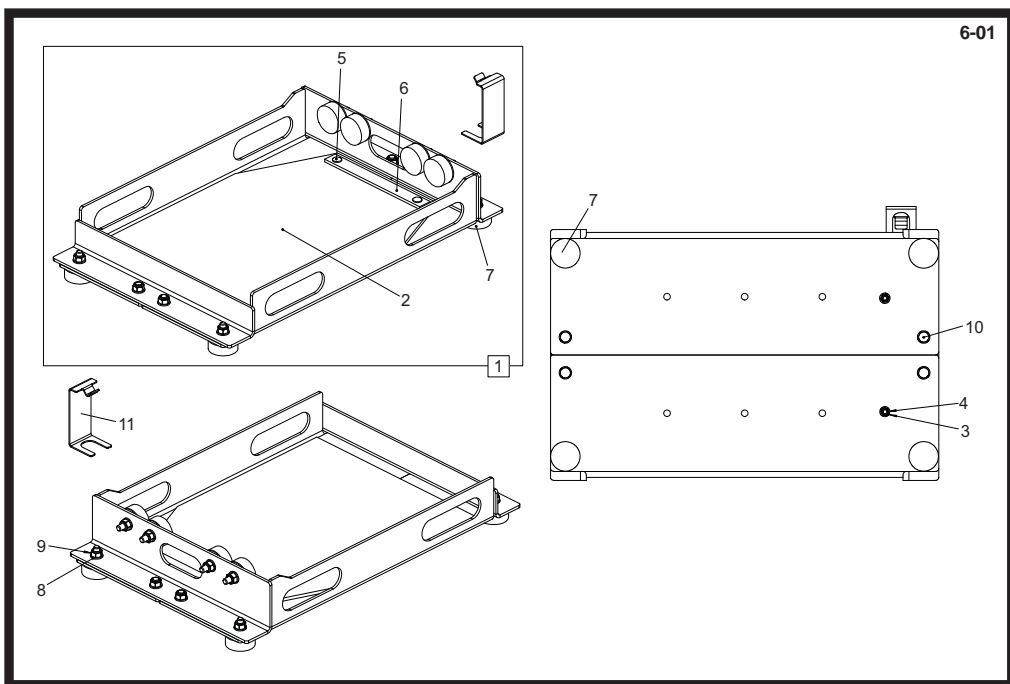
1A	20/0126	.....Motor	.....Motor	.....Motor	.....Motore	.....110v	.....1
1B	20/0124	.....Motor	.....Motor	.....Motor	.....Motore	.....230v	.....1
2	20/0416	.....Koppeling	.....Kupplung	.....Kobling	.....Frizione		.....1
3	943/18000	.....Beschermkap	.....Schutz	.....Skærm	.....Protezione		.....1
4	943/99962	.....Motor Dek	.....Motordeck	.....Motor Dæk	.....Deck Motore		.....1
5	70/0288	.....Pakkingbus	.....Durchführung	.....Pakdåse	.....Premistoppa		.....1
6	7/10039	.....Schroef	.....Schraube	.....Skruue	.....Vite	.....M10 x 20	.....4
7	8/10001	.....Moer	.....Mutter	.....Møtrik	.....Dado	.....M10	.....4
8	71/0303	.....Aardkabel	.....Erdungskabel	.....Jordkabel	.....Cavo di Terra		.....1
9	4/8014	.....Aldichtring	.....Scheibe	.....Spændeskive	.....Cuscinetto		.....1
10	7/8037	.....Schroef	.....Schraube	.....Skruue	.....Vite	.....M8 x 20	.....6
11	4/8006	.....Aldichtring	.....Scheibe	.....Spændeskive	.....Cuscinetto	.....M8	.....5
12	8/8008	.....Moer	.....Mutter	.....Møtrik	.....Dado	.....M8	.....4
13	8/8002	.....Moer	.....Mutter	.....Møtrik	.....Dado	.....M8	.....1
14	7/6034	.....Schroef	.....Schraube	.....Skruue	.....Vite	.....M6 x 14	.....1
15	4/6007	.....Aldichtring	.....Scheibe	.....Spændeskive	.....Cuscinetto	.....M6	.....1
16	8/6007	.....Moer	.....Mutter	.....Møtrik	.....Dado	.....M6	.....1
17	21/0419	.....Spie	.....Passfeder	.....Kile	.....Chiave	.....3/16" x 37.8mm	.....1
18A	70/0285	.....Mof	.....Buchsenausführung	.....Stikdåse	.....Presa	.....110v	.....1
18B	70/0286	.....Mof	.....Buchsenausführung	.....Stikdåse	.....Presa	.....230v	.....1
18C	70/0287	.....Mof	.....Buchsenausführung	.....Stikdåse	.....Presa	.....230v EU	.....1
19A	71/0288	.....Kabelboom	.....Kabelbaum	.....Ledningsnet	.....Cablaggio	.....110v	.....1
19B	71/0284	.....Kabelboom	.....Kabelbaum	.....Ledningsnet	.....Cablaggio	.....230v	.....1
19C	71/0283	.....Kabelboom	.....Kabelbaum	.....Ledningsnet	.....Cablaggio	.....230v EU	.....1
20A	71/0291	.....Kabelboom	.....Kabelbaum	.....Ledningsnet	.....Cablaggio	.....110v	.....1
20B	71/0290	.....Kabelboom	.....Kabelbaum	.....Ledningsnet	.....Cablaggio	.....230v	.....1
20C	71/0292	.....Kabelboom	.....Kabelbaum	.....Ledningsnet	.....Cablaggio	.....230v EU	.....1





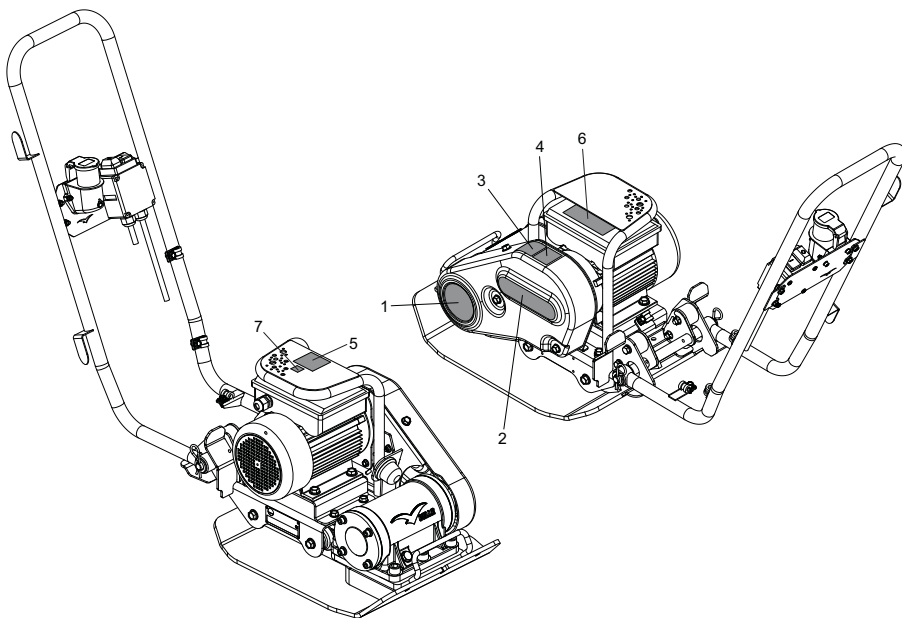
**PAT Test Rig, Appareil Portable Dispositif d'Essai,  
Aparato Portátil de Prueba de Plataforma, Kit de Teste de Aparelho Portátil**

1	968/01200.....PAT Test Rig .....	Appareil portable dispositif.....	Aparato portátil de prueba .....	Kit de teste de aparelho portátil.....	1
		d'essai .....	de plataforma.....		
2	968/99909.....Paving Pad .....	Tampon de pavage.....	Tampon de pavimentación .....	Bloco de Pavimentação.....	1
3	4/8006.....Washer .....	Rondelle.....	Arandela .....	Anilha.....	M8..... 2
4	8/8008.....Nut .....	Ecrou .....	Tuerca .....	Porca .....	M8..... 2
5	00.0.860.....Bolt .....	Boulon.....	Perno .....	Perno .....	M8 x 30..... 2
6	943/99907.....Clamp Plate .....	Plaque de serrage .....	Placa de fijación .....	Placa de Fixação.....	1
7	00525-B.....Anti-Vibration Mounting .....	Tampon antivibratoire.....	Montura antivibratoria.....	Montagem Anti-Vibração .....	8
8	4/1005.....Washer .....	Rondelle.....	Arandela .....	Anilha.....	M10..... 16
9	8/10006.....Nut .....	Ecrou .....	Tuerca .....	Porca .....	M10..... 12
10	7/10005.....Screw.....	Vis .....	Tornillo .....	Parafuso .....	M10 x 25..... 4
11	968/01205.....Bracket .....	Patte de montage .....	Escuadra .....	Suporte .....	1



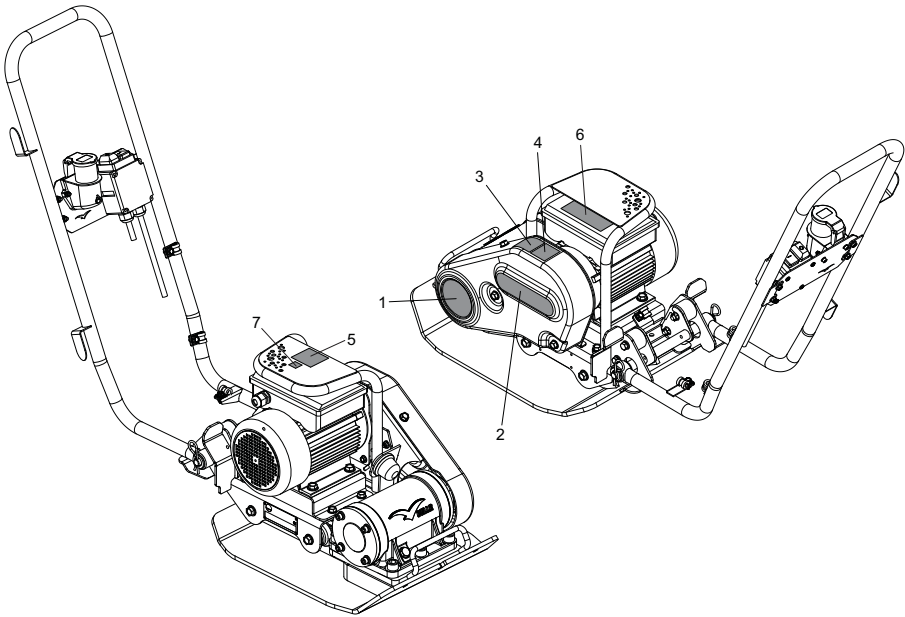
## Testen van Draagbare Apparaten Kit, Tragbares Gerät Prüfstand, Bærbar Apparat Testkit, Kit di Test Apparecchio Portatile

1	968/01200.....Testen van draagbare ....	Tragbares Gerät Prüfstand....	Bærbar apparat testkit .....	Kit di test apparecchio portatile .....	1
	.....apparaten kit.....				
2	968/99909.....Kunststof Onderplaat.....	Blockpflasterrüttler .....	Belægningsklodsudstyr .....	Pavimentazione a blocchi.....	1
3	4/8006.....Afdichtring.....	Scheibe.....	Spændeskive.....	Cuscinetto.....	M8..... 2
4	8/8008.....Moer.....	Mutter.....	Møtrik.....	Dado.....	M8..... 2
5	00.0.860.....Bouten.....	Bolzen.....	Skrubolt .....	Bullone.....	M8 x 30..... 2
6	943/99907.....Klemplaat.....	Klemmplatte.....	Holdeplade.....	Piastra di serraggio.....	1
7	00525-B.....Anti-trilbevestiging .....	Schwingungsdämpfer .....	Antivibrationsophæng.....	Supporto antivibrazioni.....	8
8	4/1005.....Afdichtring.....	Scheibe.....	Spændeskive.....	Cuscinetto.....	M10..... 16
9	8/10006.....Moer.....	Mutter.....	Møtrik.....	Dado.....	M10..... 12
10	7/10005.....Schroef .....	Schraube .....	Skruer.....	Vite .....	M10 x 25..... 4
11	968/01205.....Steun .....	Haltering .....	Beslag.....	Staffa .....	1



## Decals, Autocollant, Rótulo, Decalque

1	800/00300	..... Decal	..... Autocollant	..... Rótulo	..... Decalque	..... Belle.....	..... 2
2	800/99440	..... Decal	..... Autocollant	..... Rótulo	..... Decalque	..... PCLX 12/40E.....	..... 1
3	19.0.373	..... Decal	..... Autocollant	..... Rótulo	..... Decalque	.....	..... 1
4	800/99623	..... Decal	..... Autocollant	..... Rótulo	..... Decalque	..... 104 dB(A) .....	..... 1
5	800/99532	..... Decal	..... Autocollant	..... Rótulo	..... Decalque	.....	..... 1
6	800/99531	..... Decal	..... Autocollant	..... Rótulo	..... Decalque	.....	..... 1
7	800/99533	..... Decal	..... Autocollant	..... Rótulo	..... Decalque	.....	..... 1



### Label, Abziehbild, Skilt, Decalcomania

1	800/00300	Label	Abziehbild	Skilt	Decalcomania	Belle	2
2	800/99440	Label	Abziehbild	Skilt	Decalcomania	PCLX 12/40E	1
3	19.0.373	Label	Abziehbild	Skilt	Decalcomania		1
4	800/99623	Label	Abziehbild	Skilt	Decalcomania	104 dB(A)	1
5	800/99532	Label	Abziehbild	Skilt	Decalcomania		1
6	800/99531	Label	Abziehbild	Skilt	Decalcomania		1
7	800/99533	Label	Abziehbild	Skilt	Decalcomania		1



BELLE  
LIGHT  
CONSTRUCTION  
EQUIPMENT

ALTRAD BELLE  
Sheen, Nr. Buxton, Derbyshire, SK17 0EU, GB  
Tel. +44 (0)1298 84606 - Fax +44 (0)1298 84722 - Email: [sales@altrad-belle.com](mailto:sales@altrad-belle.com)  
**[www.Altrad-Belle.com](http://www.Altrad-Belle.com)**